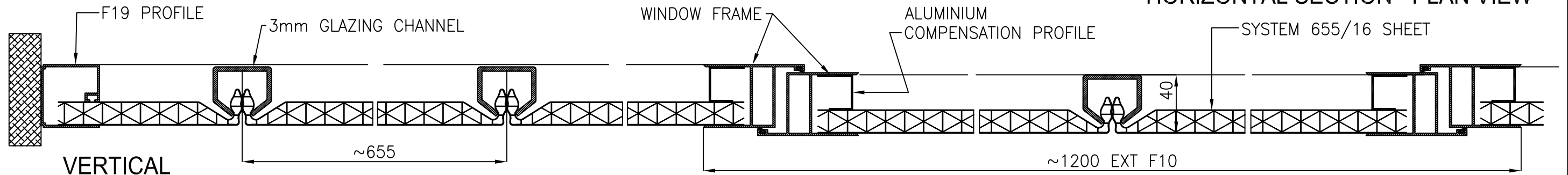
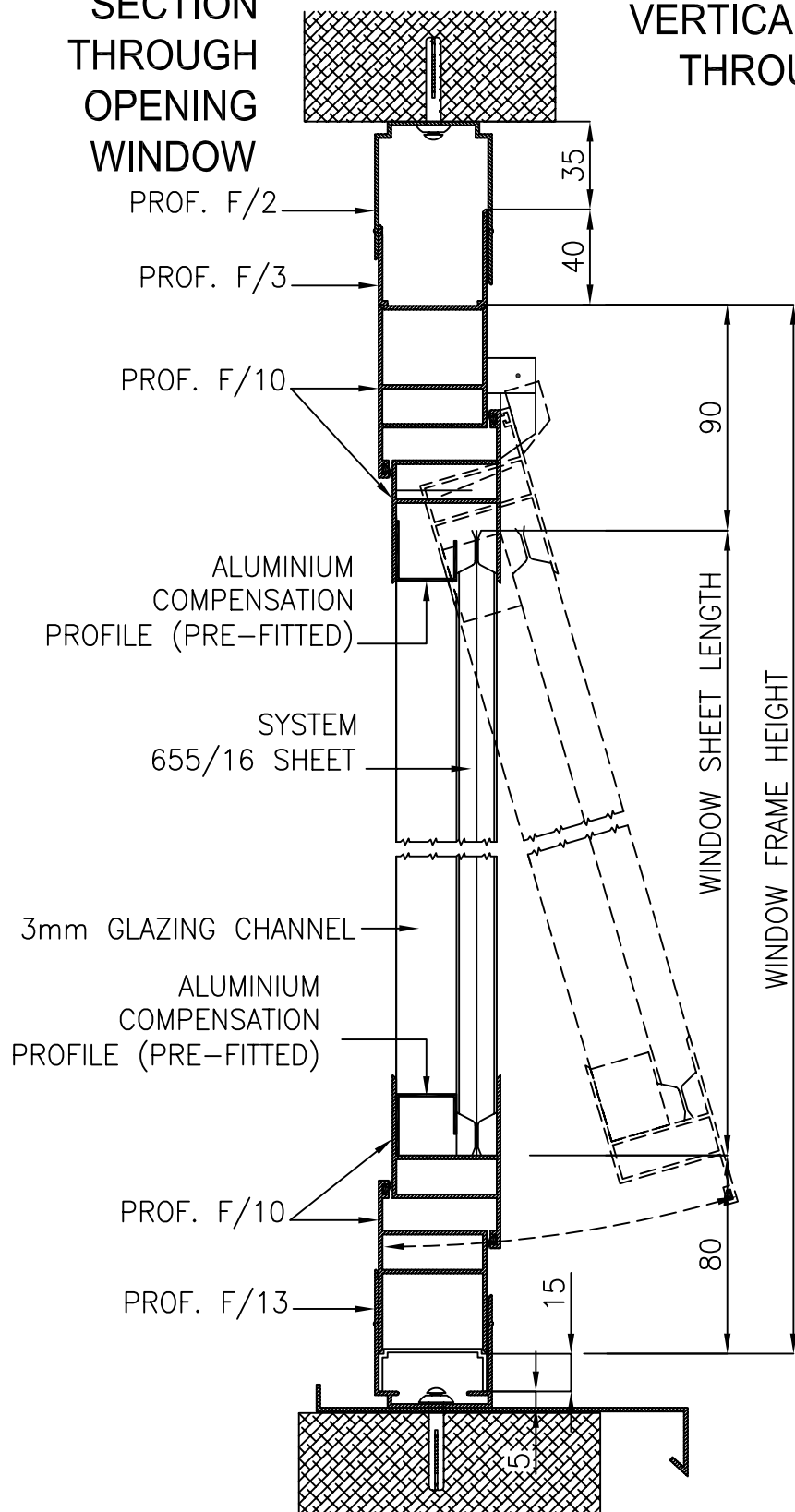


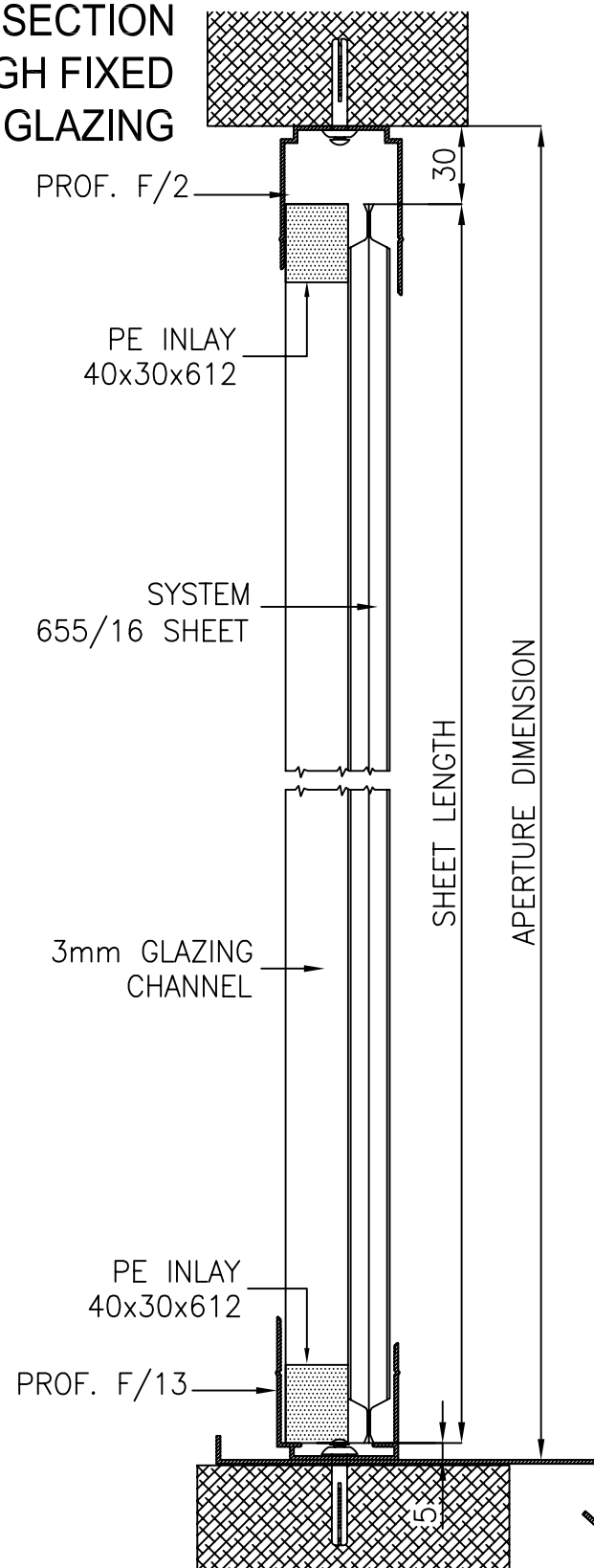
HORIZONTAL SECTION - PLAN VIEW



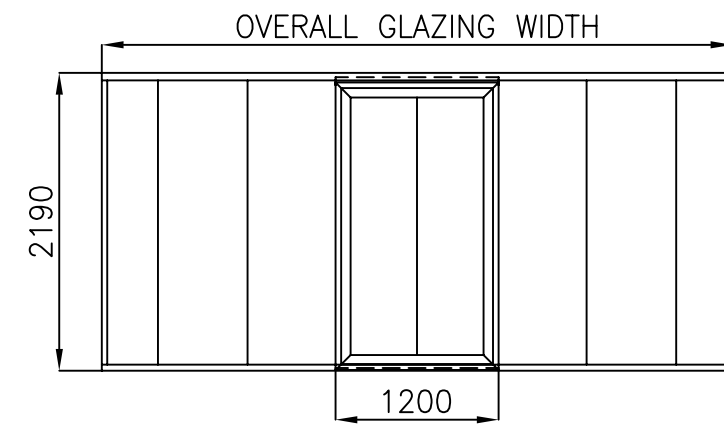
VERTICAL SECTION THROUGH OPENING WINDOW



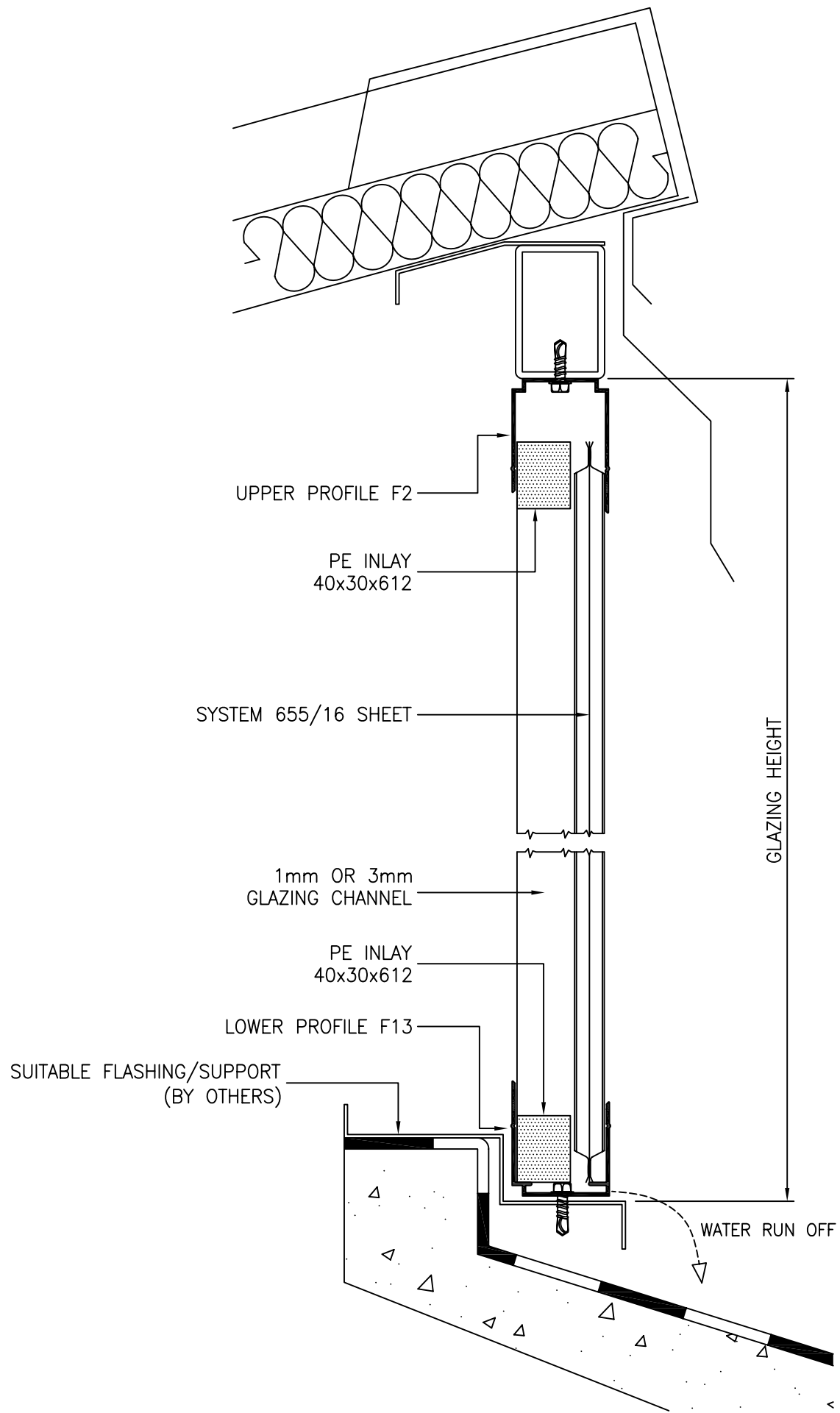
VERTICAL SECTION THROUGH FIXED GLAZING



FRONT ELEVATION



CLIENT:	ROCKWELL
DRAWING INFO:	SYSTEM 655 TOP HUNG WINDOW WITH 3MM CHANNEL
DATE:	16/02/2010
SCALE:	1:4 1:80

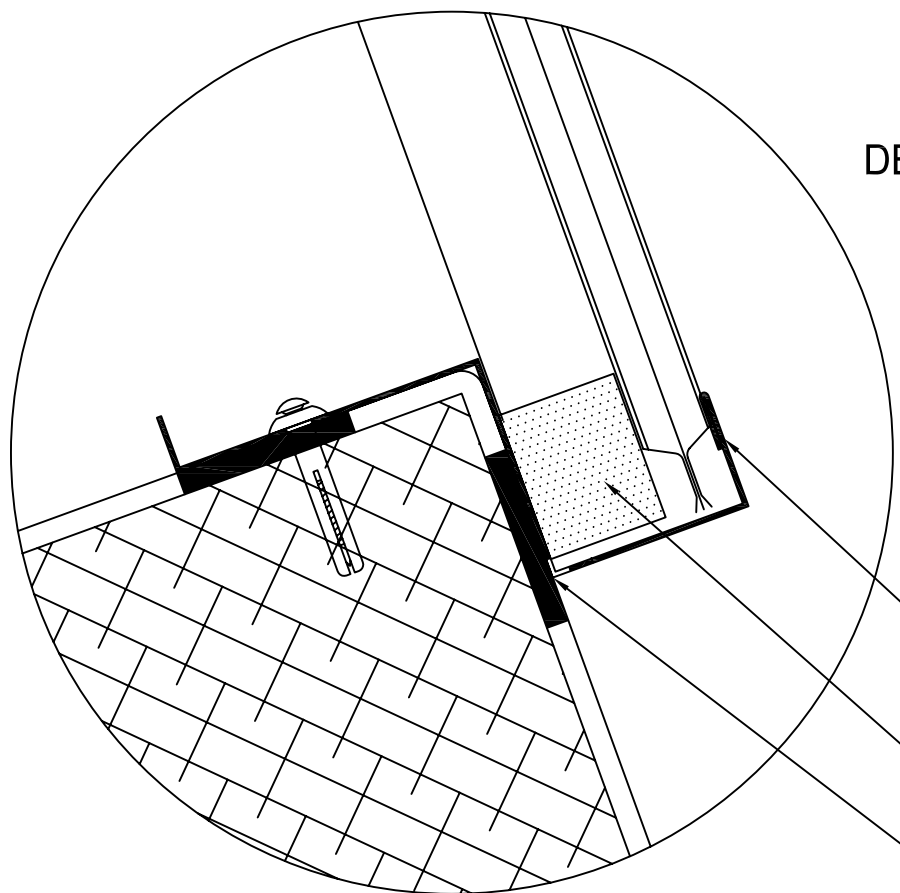


VERTICAL VIEW



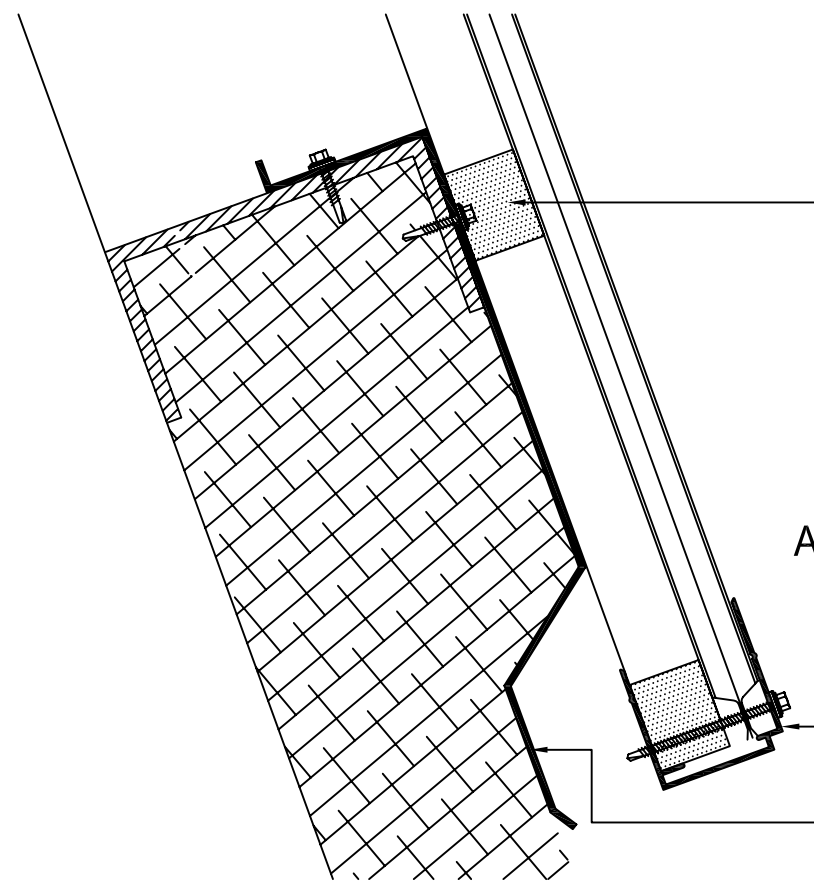
Rockwell
GLAZING SOLUTIONS

CLIENT:	ROCKWELL
DRAWING INFO:	SYSTEM 655/16 NORTHLIGHT GLAZING
DATE:	30/07/10
SCALE	NTS



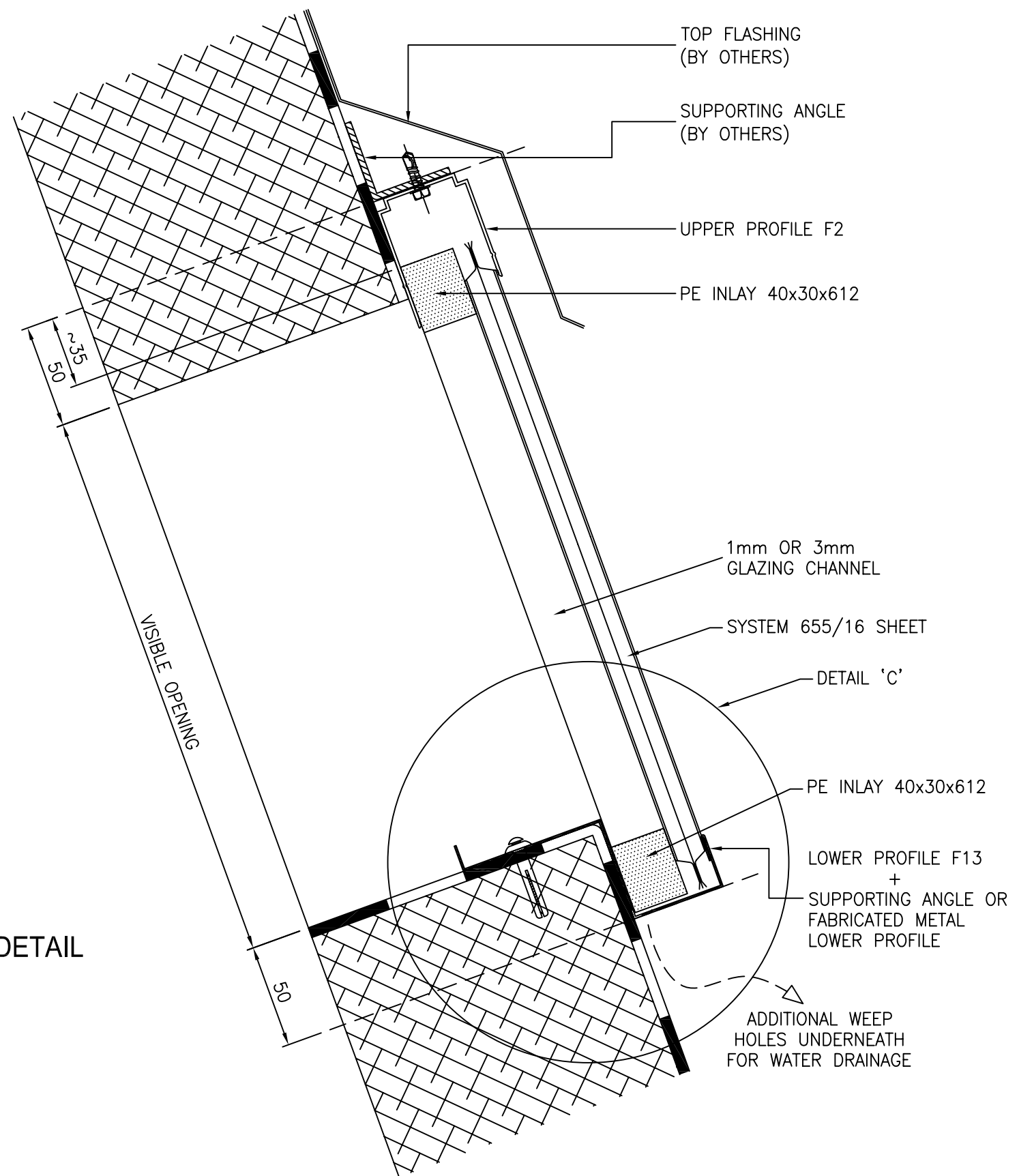
DETAIL 'C'

- FABRICATED LOWER PROFILE (BY OTHERS)
- PE INLAY
- HOLE FOR WATER DRAINAGE



ALTERNATIVE BOTTOM DETAIL

- PE INLAY-1300mm
- LOWER PROFILE F13
- LOWER FLASHING (BY OTHERS)



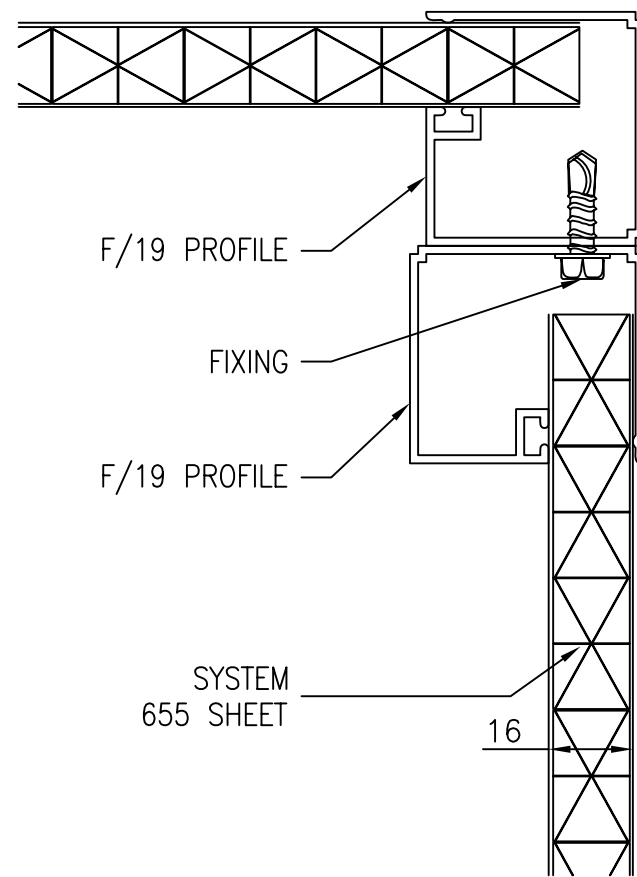
SLOPING VERTICAL SECTION

- TOP FLASHING (BY OTHERS)
- SUPPORTING ANGLE (BY OTHERS)
- UPPER PROFILE F2
- PE INLAY 40x30x612
- 1mm OR 3mm GLAZING CHANNEL
- SYSTEM 655/16 SHEET
- DETAIL 'C'
- PE INLAY 40x30x612
- LOWER PROFILE F13 + SUPPORTING ANGLE OR FABRICATED METAL LOWER PROFILE
- ADDITIONAL WEEP HOLES UNDERNEATH FOR WATER DRAINAGE

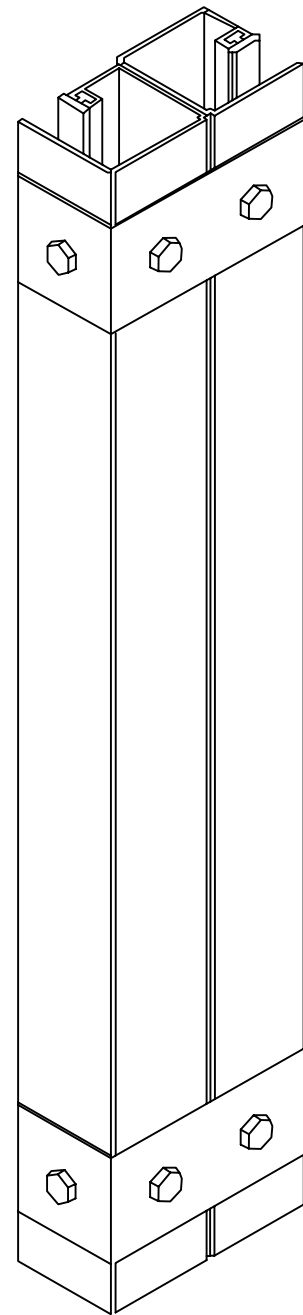
~35
50
VISIBLE OPENING
50



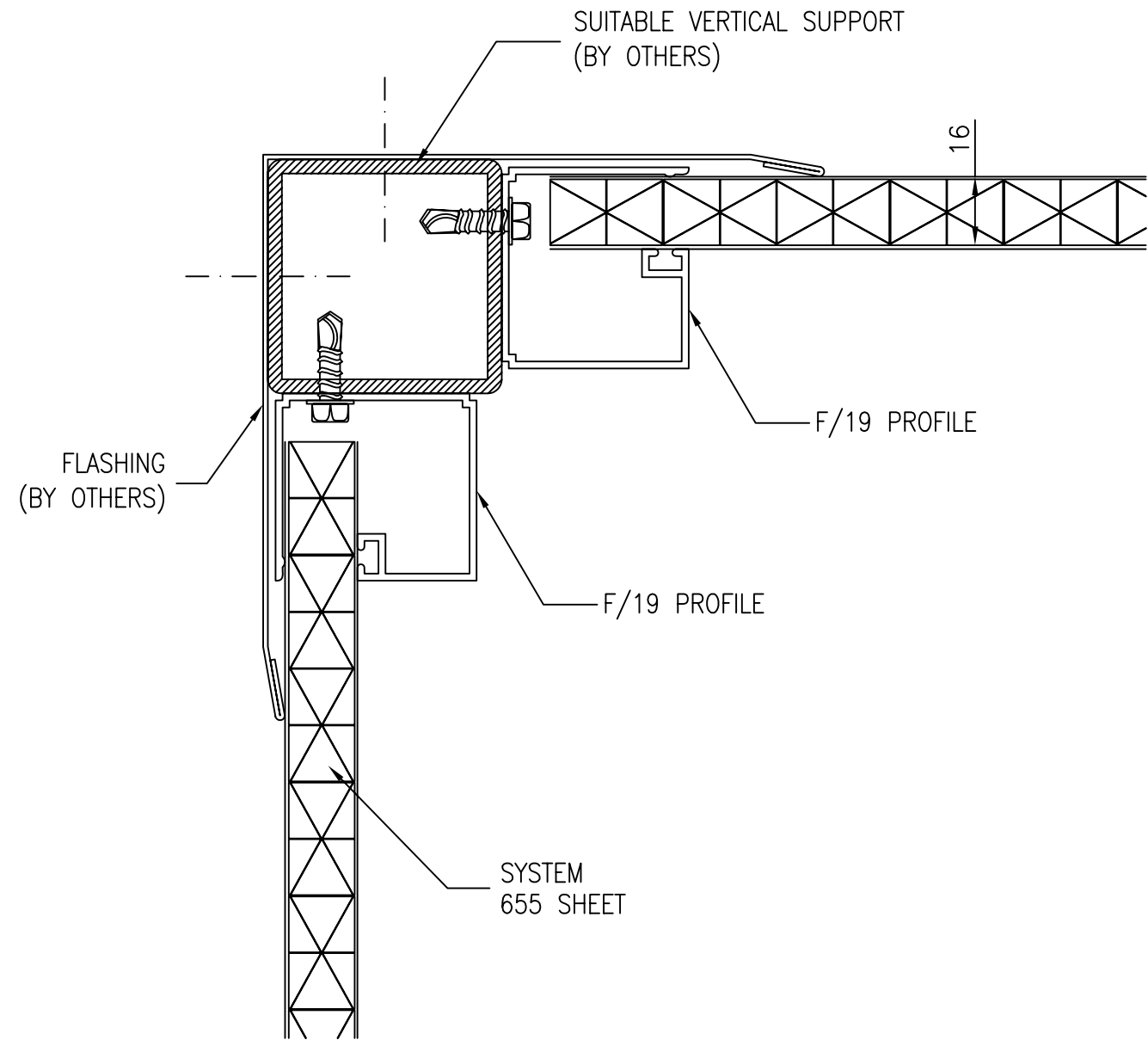
CLIENT:	ROCKWELL
DRAWING INFO:	SYSTEM 655/16 SLOPING NORTHLIGHT GLAZING
DATE:	05/08/10
SCALE	NTS



F19-F19 90° CORNER
WITH HIDDEN FIXING



F19-F19 90° CORNER
WITH FACE FIXING



F19-F19 90° CORNER WITH
SUPPORT & FLASHING



CLIENT:	ROCKWELL
DRAWING INFO:	SYSTEM 655/16 VERTICAL CORNER EXAMPLES
DATE:	07/06/10
SCALE	NTS