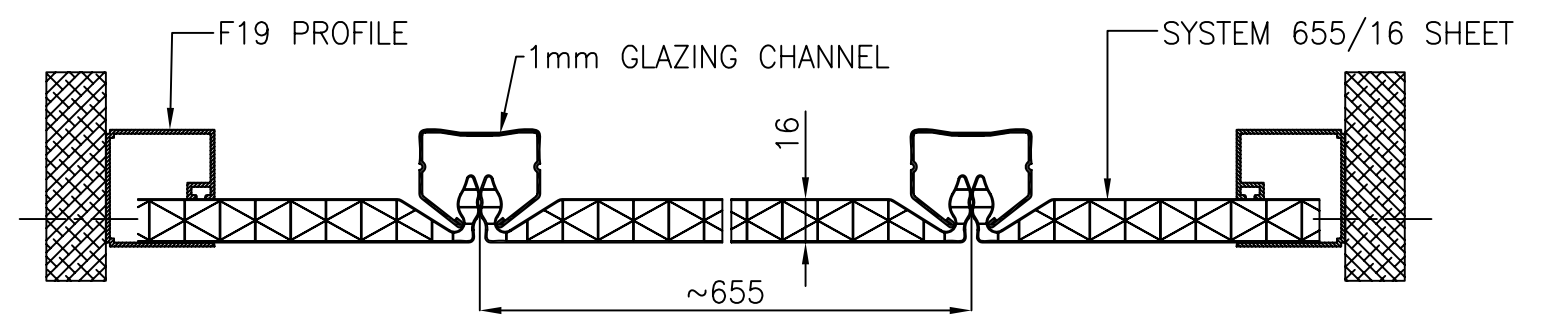
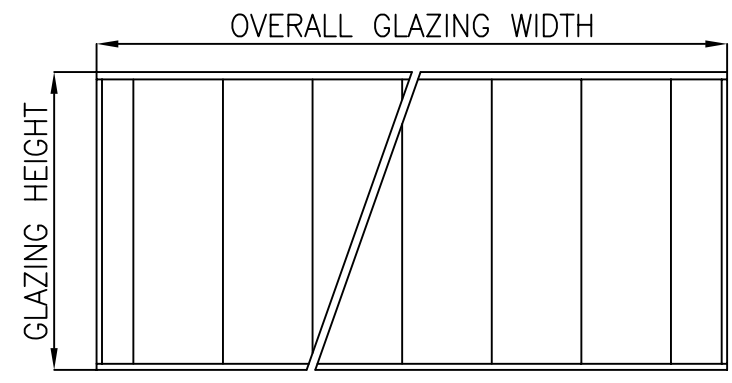


VERTICAL SECTION  
THROUGH FIXED GLAZING



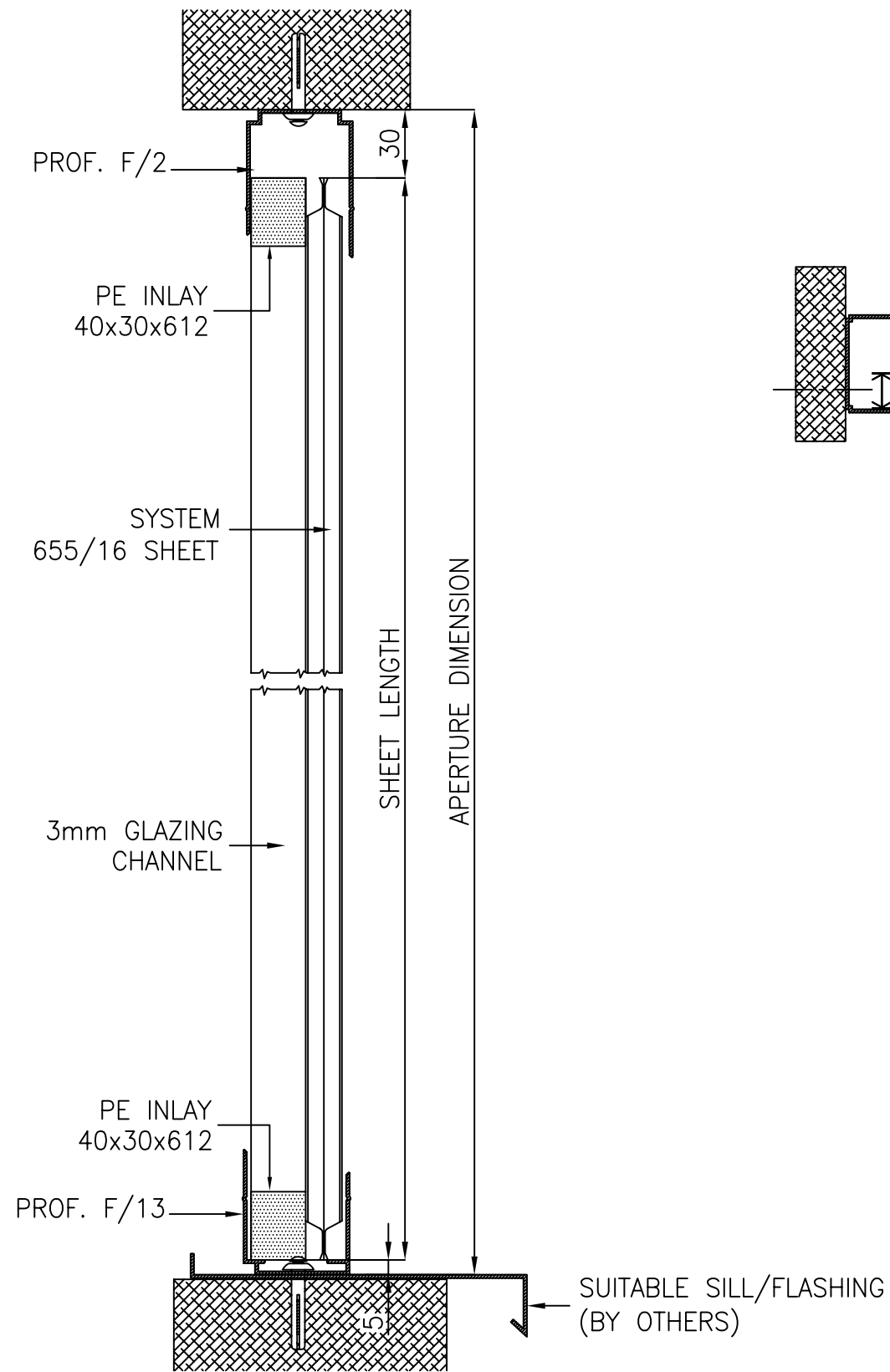
HORIZONTAL SECTION - PLAN VIEW



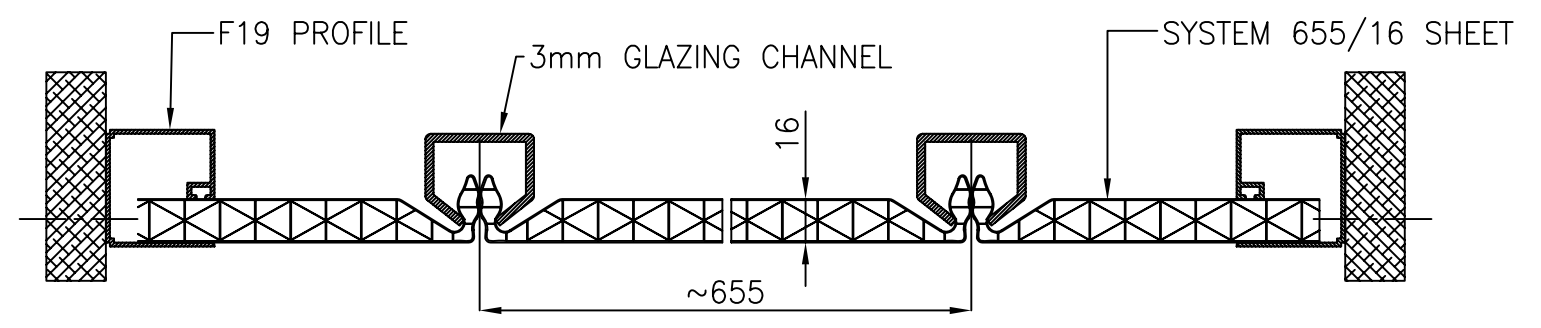
FRONT ELEVATION



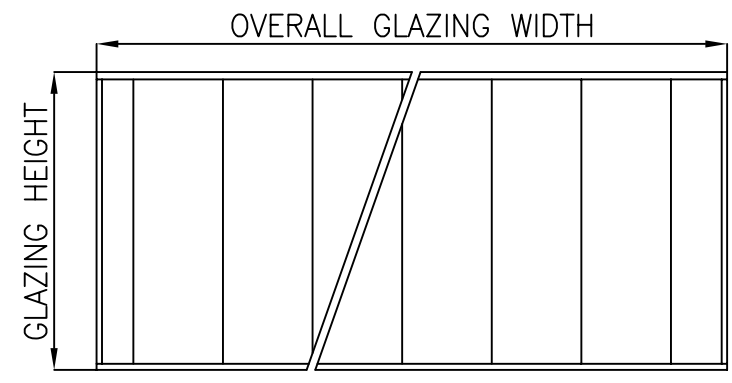
CLIENT:	ROCKWELL
DRAWING INFO:	SYSTEM 655/16 VERTICAL GLAZING 1MM CHANNEL
DATE:	03/06/2010
SCALE:	1:4 1:80



VERTICAL SECTION  
THROUGH FIXED GLAZING



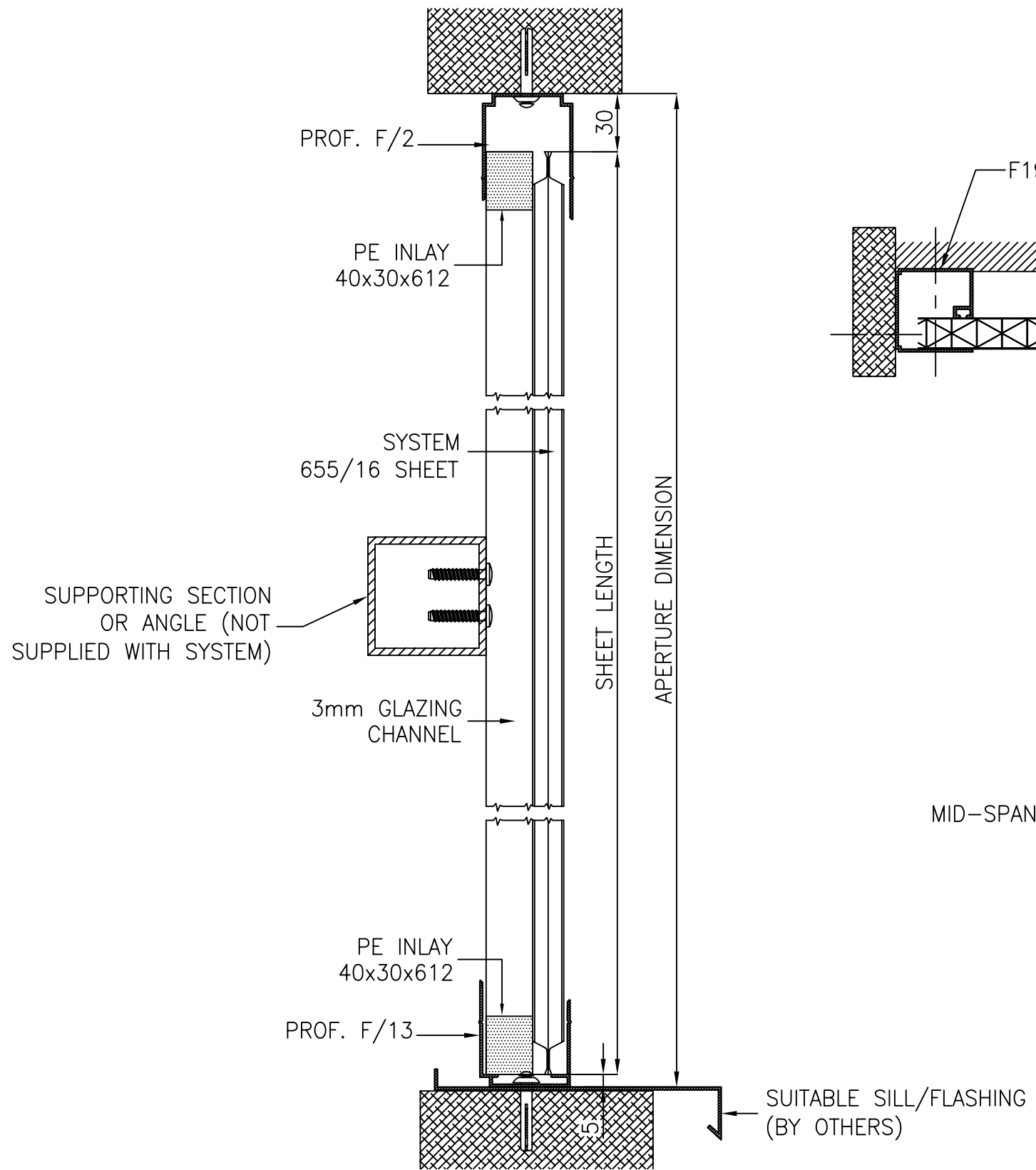
HORIZONTAL SECTION - PLAN VIEW



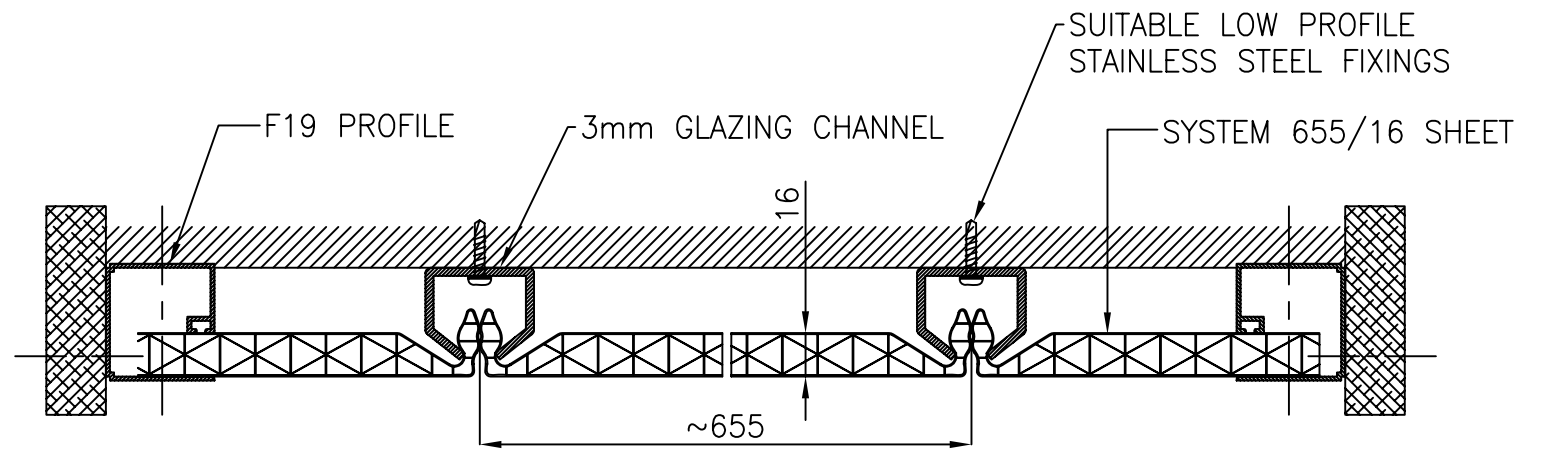
FRONT ELEVATION



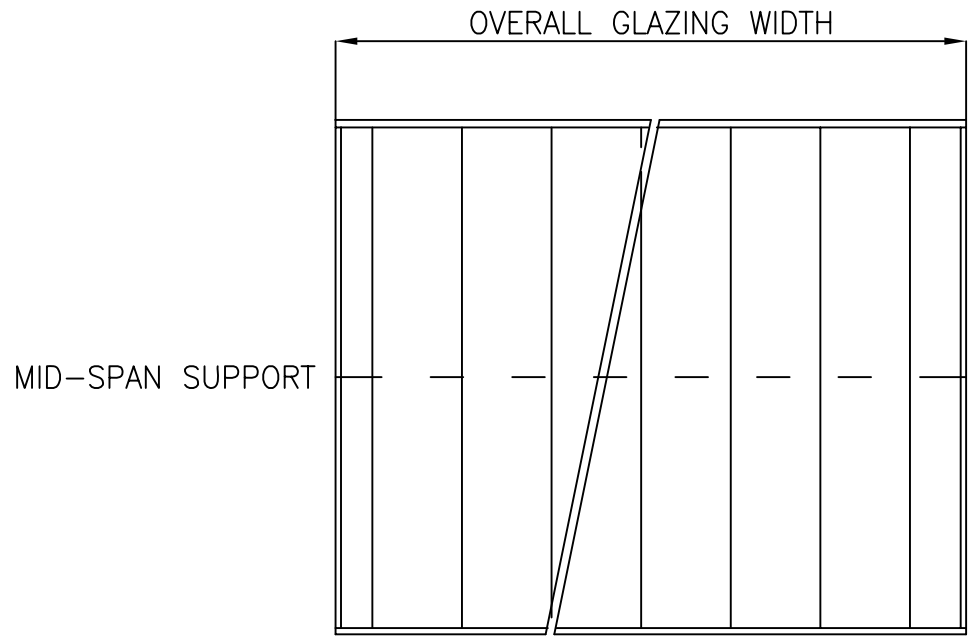
CLIENT:	ROCKWELL
DRAWING INFO:	SYSTEM 655/16 VERTICAL GLAZING
DATE:	03/06/2010
SCALE:	1:4 1:80



VERTICAL SECTION THROUGH FIXED GLAZING



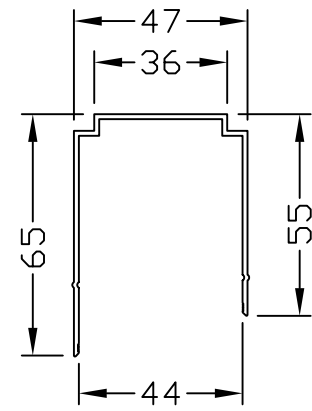
HORIZONTAL SECTION - PLAN VIEW



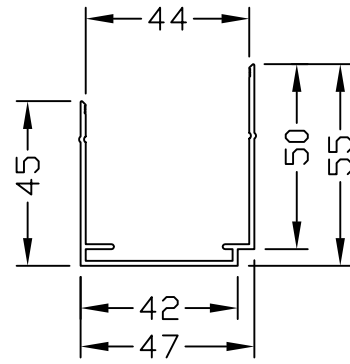
FRONT ELEVATION



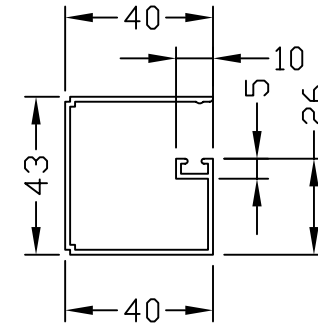
CLIENT:	ROCKWELL
DRAWING INFO:	SYSTEM 655/16 GLAZING WITH CROSS SUPPORT
DATE:	04/06/2010
SCALE:	1:4 1:80



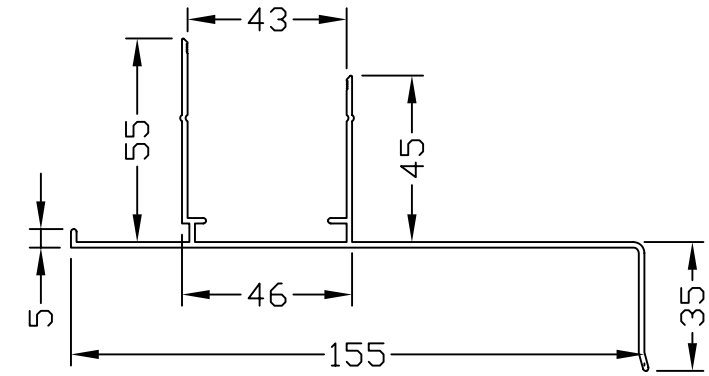
F/2 UPPER PROFILE



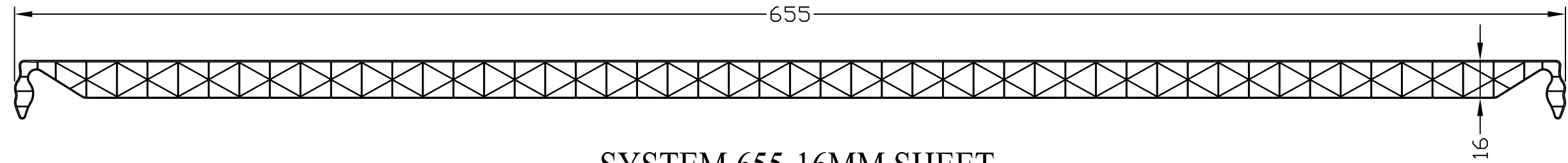
F/13 LOWER PROFILE



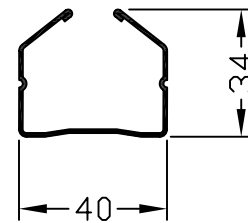
F/19 SIDE PROFILE



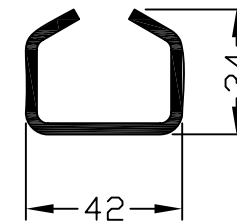
F/15 ALTERNATIVE  
LOWER SILL PROFILE



SYSTEM 655-16MM SHEET



1MM GLAZING CHANNEL



3MM GLAZING CHANNEL



CLIENT:	ROCKWELL
DRAWING INFO:	SYSTEM 655 GLAZING CHANNELS & PROFILES
DATE:	04/06/10
SCALE	NTS