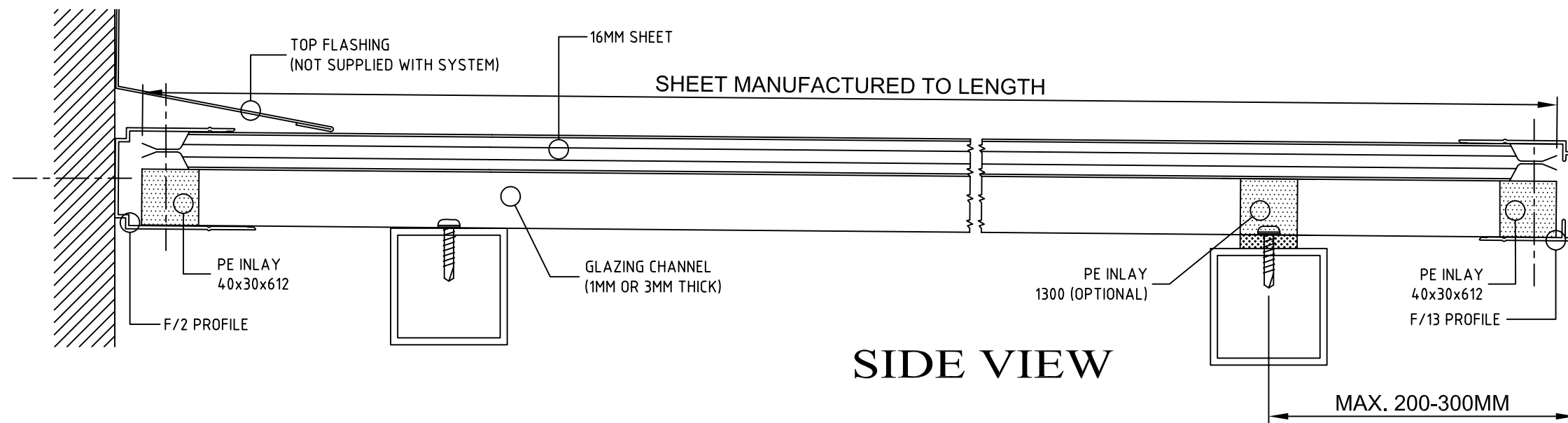


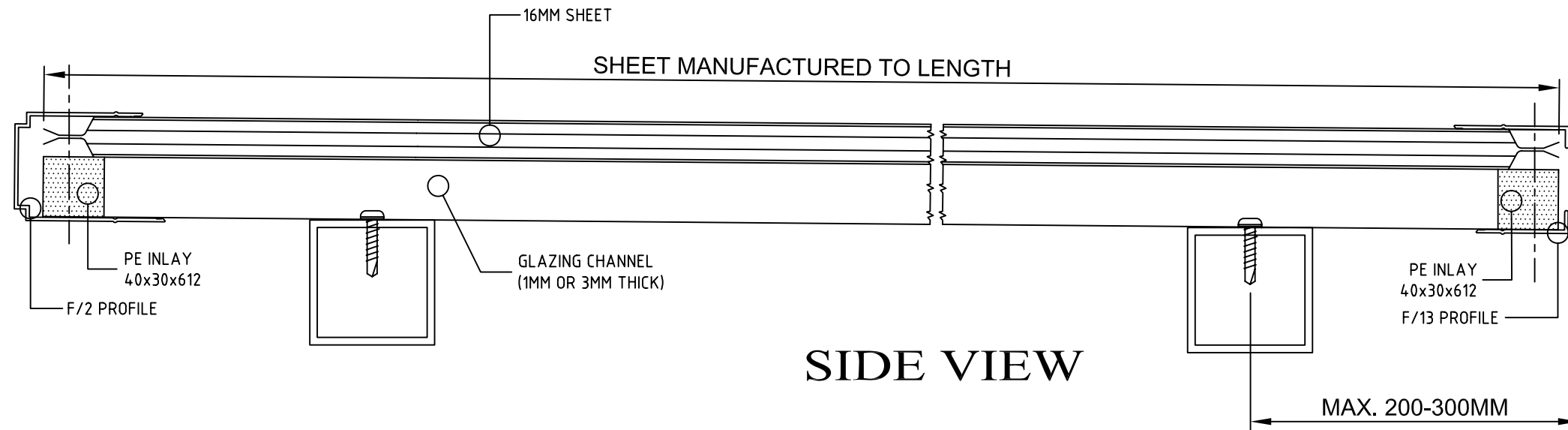
TYPICAL SECTION DETAIL WITH SUPPORTING ANGLE/WALL PLATE



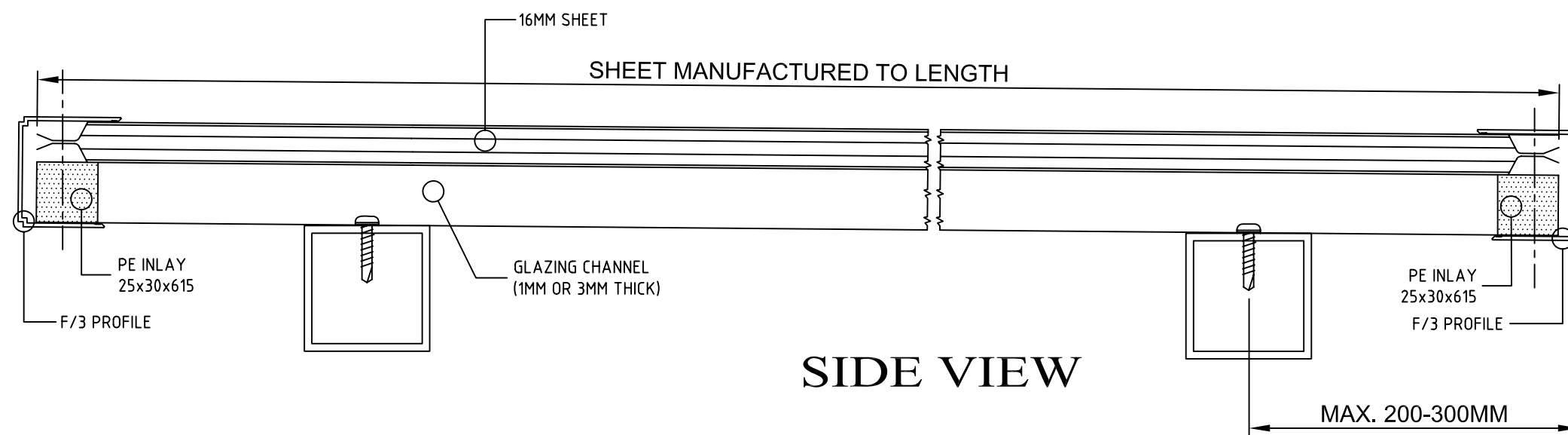
TYPICAL SECTION DETAIL WITHOUT WALL PLATE



CLIENT:	ROCKWELL
DRAWING INFO:	SYSTEM 655 ROOFING STANDARD DETAILS (1 OF 4)
DATE:	30/03/10
SCALE	NTS



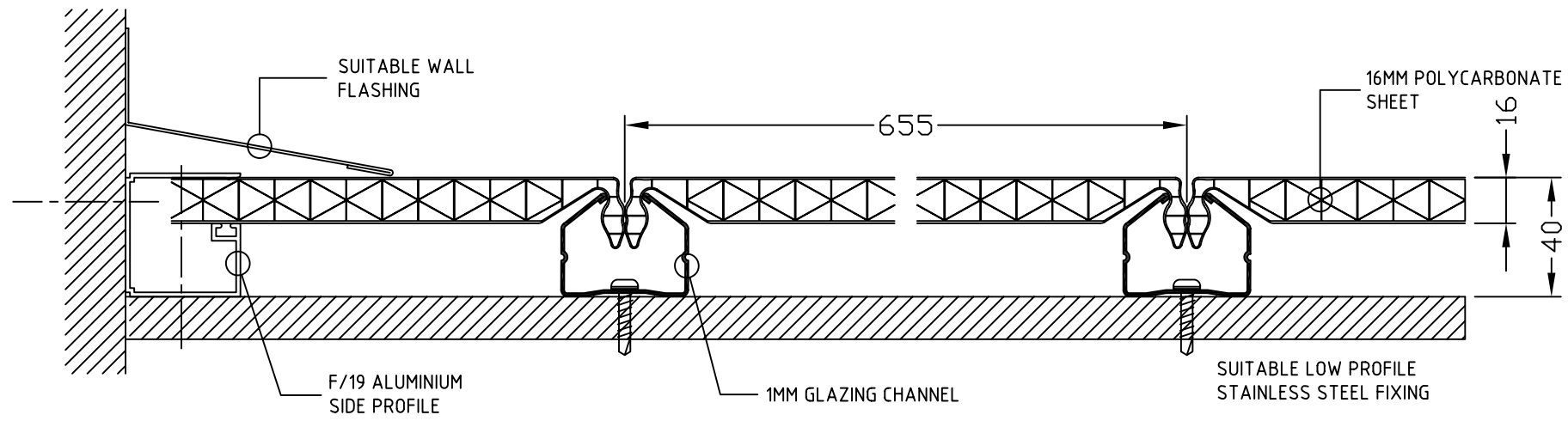
TYPICAL SECTION DETAIL
(OPEN CANOPY 1)



TYPICAL SECTION DETAIL
(OPEN CANOPY 2)

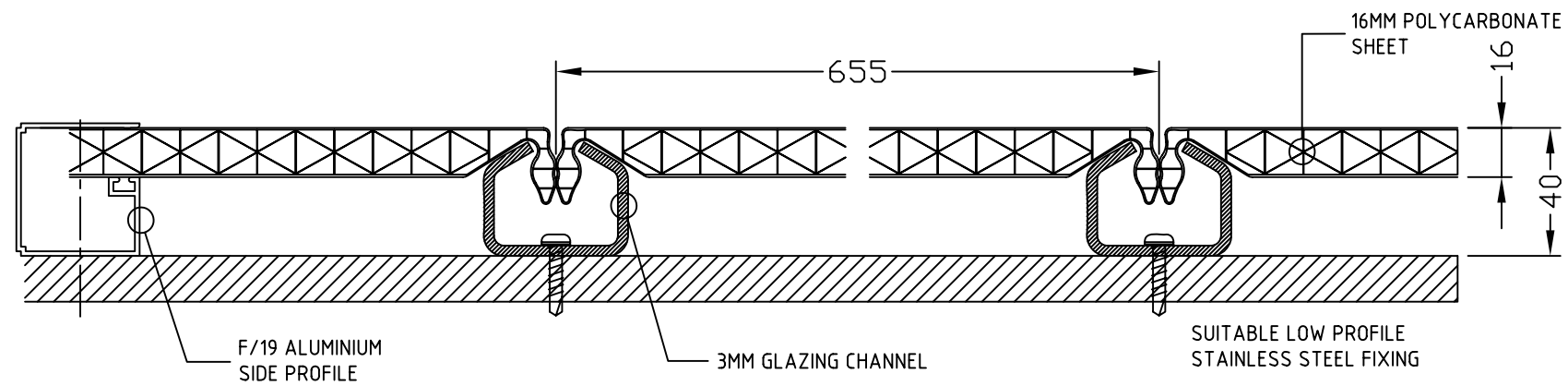


CLIENT:	ROCKWELL
DRAWING INFO:	SYSTEM 655 ROOFING STANDARD DETAILS (2 OF 4)
DATE:	30/03/10
SCALE	NTS

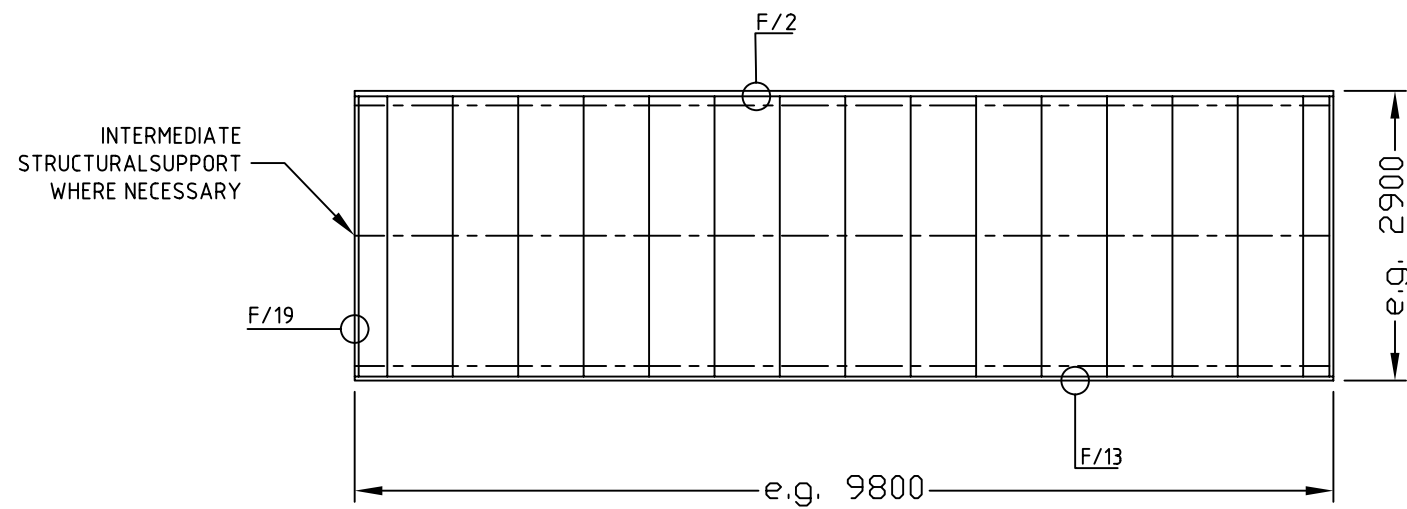


SYSTEM 655 PITCHED GLAZING - TYPICAL SECTION
DETAIL WITH F/19 SIDE PROFILE + WALL FLASHING

FRONT VIEW



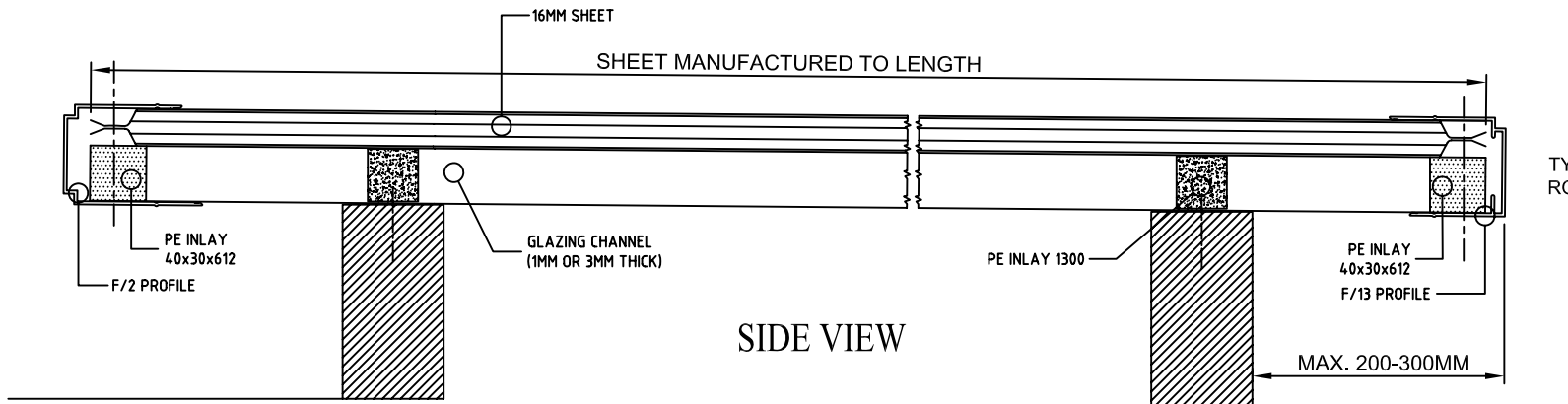
SYSTEM 655 PITCHED GLAZING - TYPICAL SECTION
DETAIL WITH F/19 SIDE PROFILE AS ROOF EDGE



PLAN VIEW

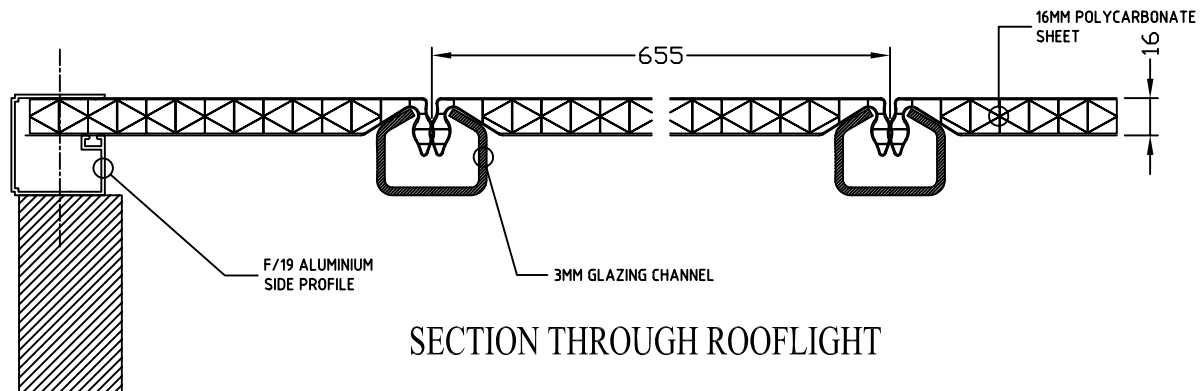


CLIENT:	ROCKWELL
DRAWING INFO:	SYSTEM 655 ROOFING STANDARD DETAILS (3 OF 4)
DATE:	30/03/10
SCALE	NTS



TYPICAL SECTION DETAIL
ROOFLIGHT ON KERB SUPPORT

SIDE VIEW



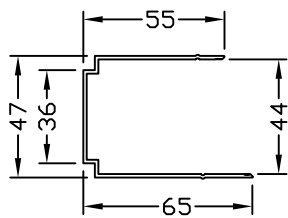
TYPICAL END DETAIL FOR
ROOFLIGHT ON KERB SUPPORT

SECTION THROUGH ROOFLIGHT

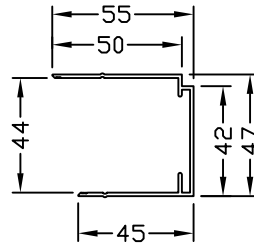


Rockwell
GLAZING SOLUTIONS

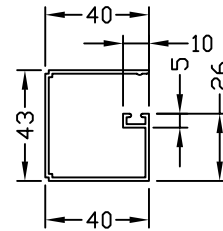
CLIENT:	ROCKWELL
DRAWING INFO:	SYSTEM 655 PITCHED ROOFLIGHT ON KERB
DATE:	30/08/10
SCALE	NTS



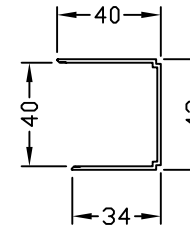
F/2 UPPER PROFILE



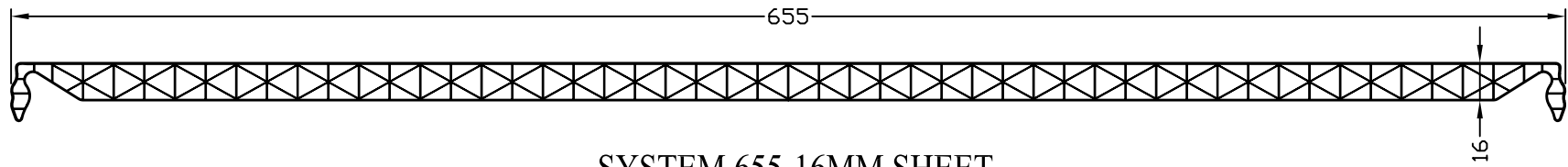
F/13 LOWER PROFILE



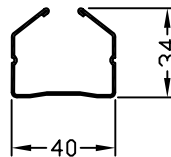
F/19 SIDE PROFILE



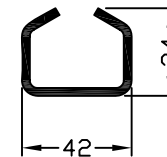
F/3 UNIVERSAL PROFILE



SYSTEM 655-16MM SHEET



1MM GLAZING CHANNEL



3MM GLAZING CHANNEL



Rockwell
GLAZING SOLUTIONS

CLIENT:	ROCKWELL
DRAWING INFO:	SYSTEM 655 ROOFING STANDARD DETAILS (4 OF 4)
DATE:	30/03/10
SCALE	NTS