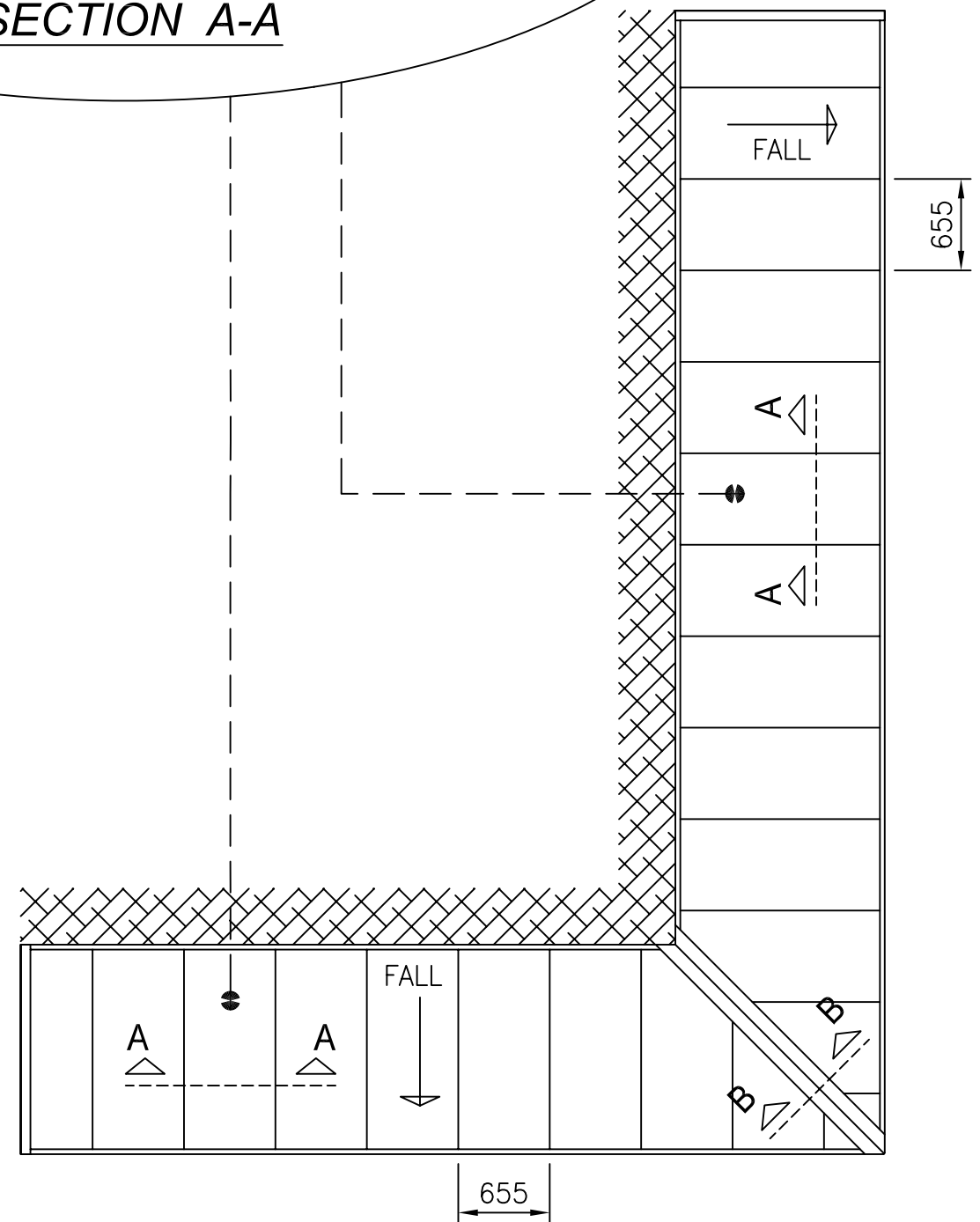
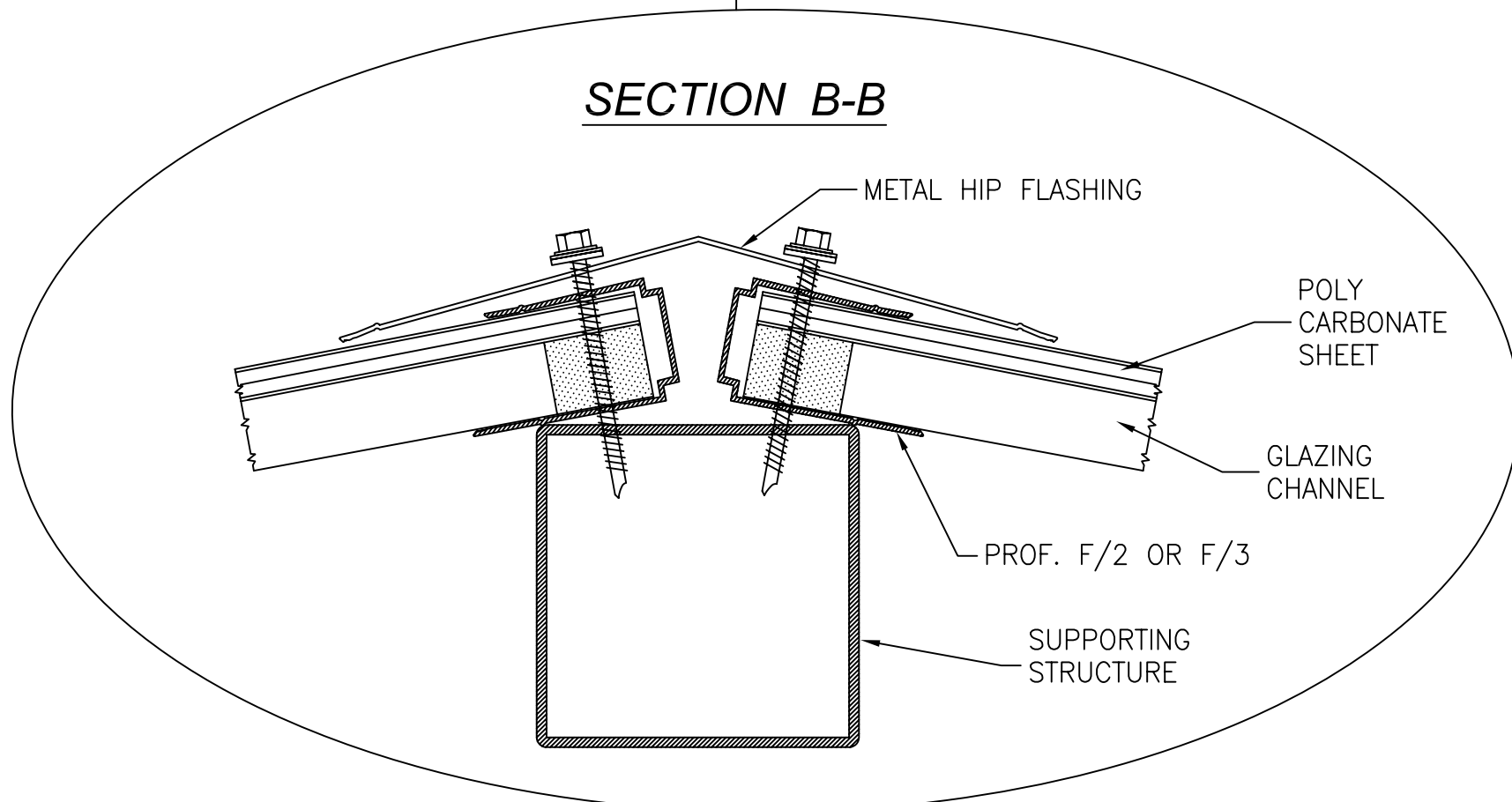
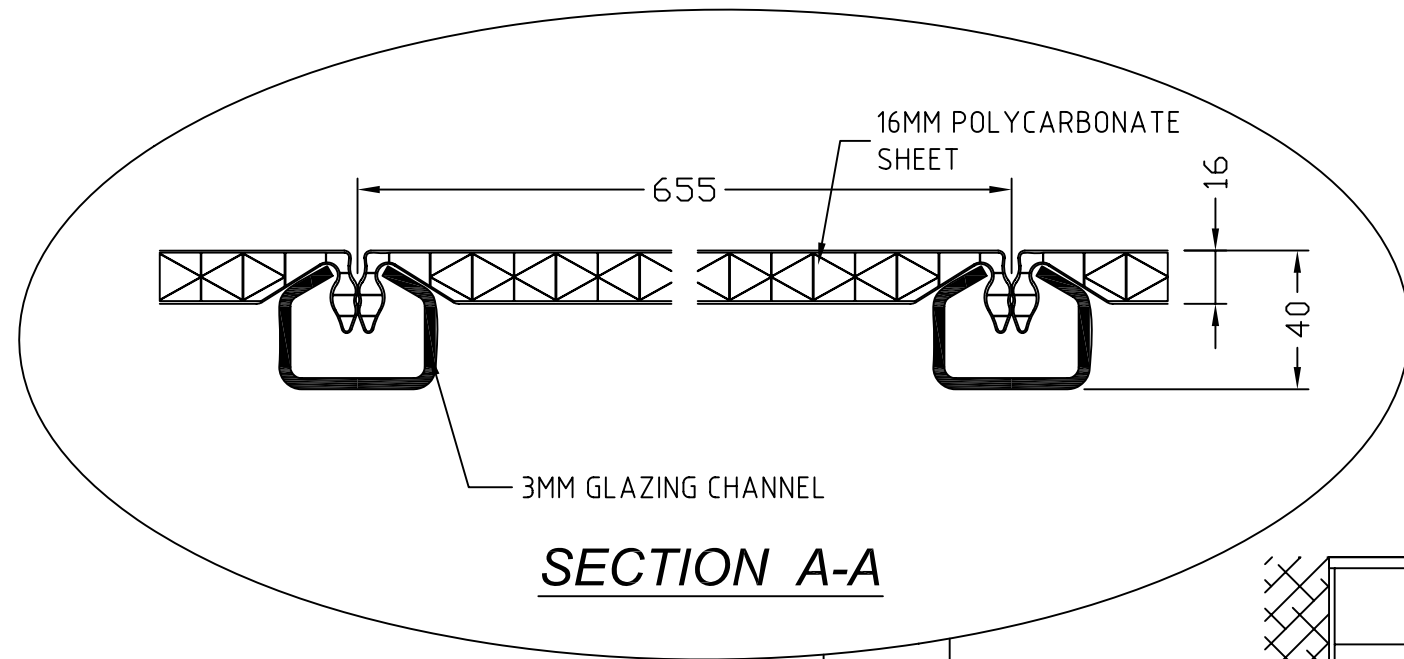
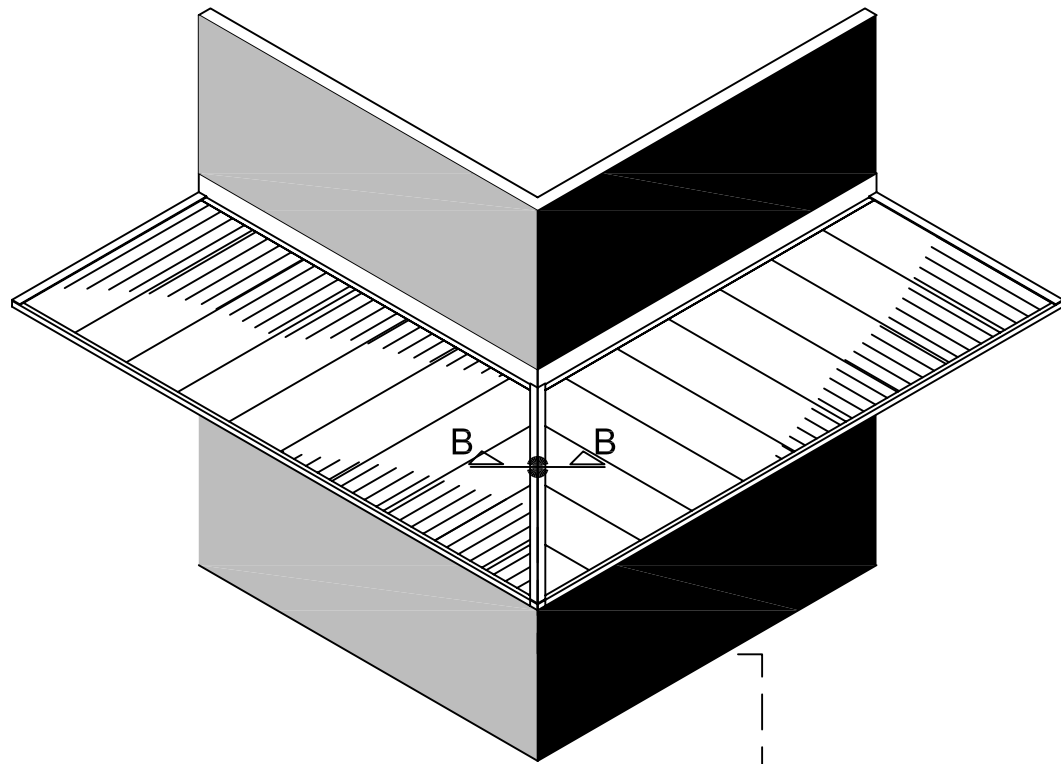
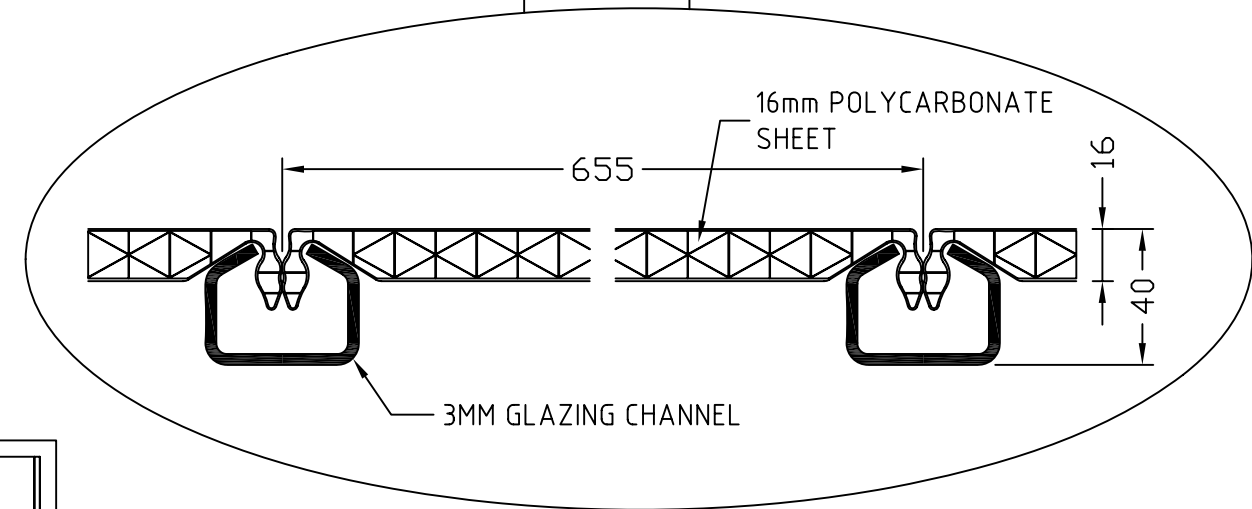
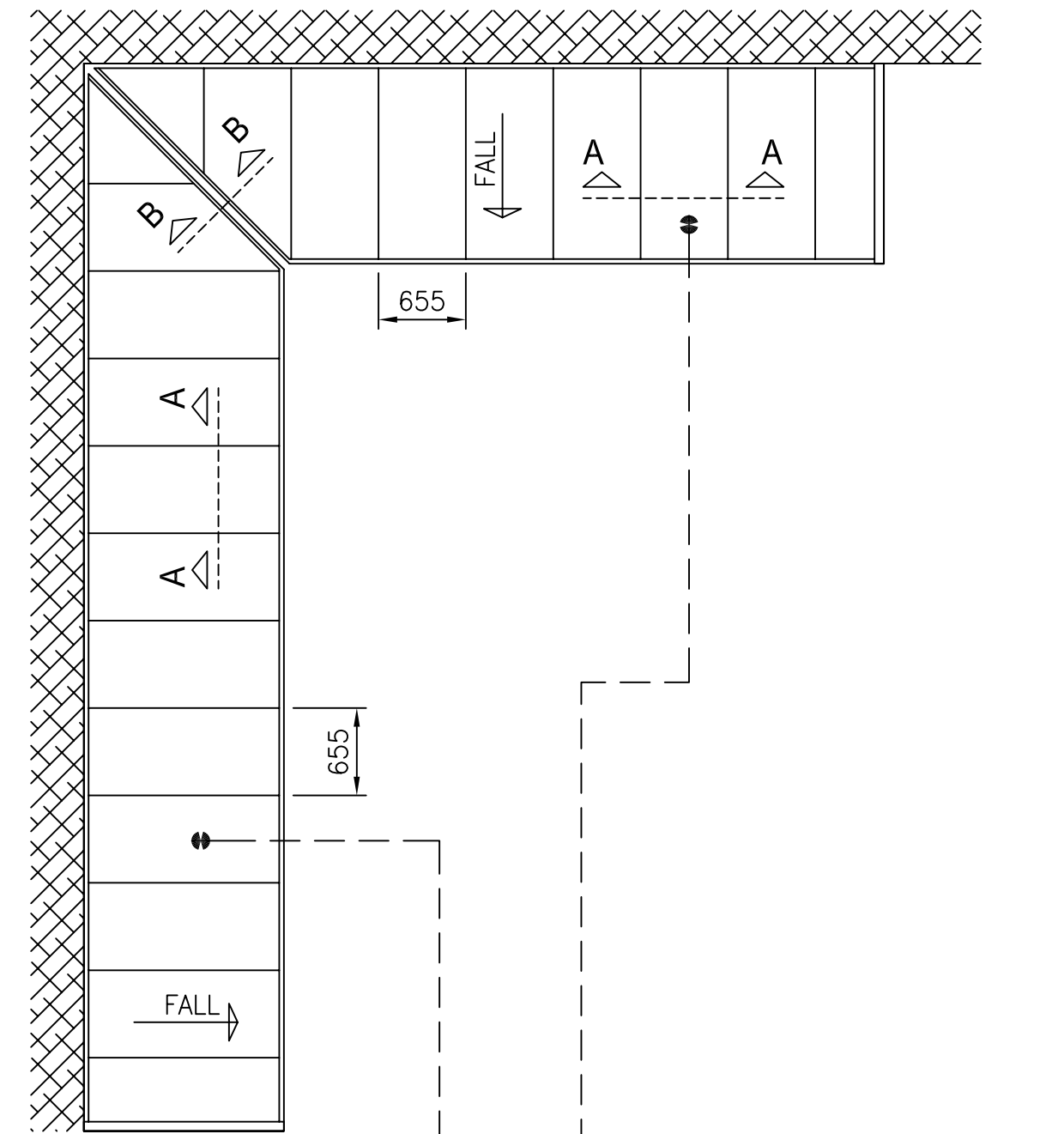
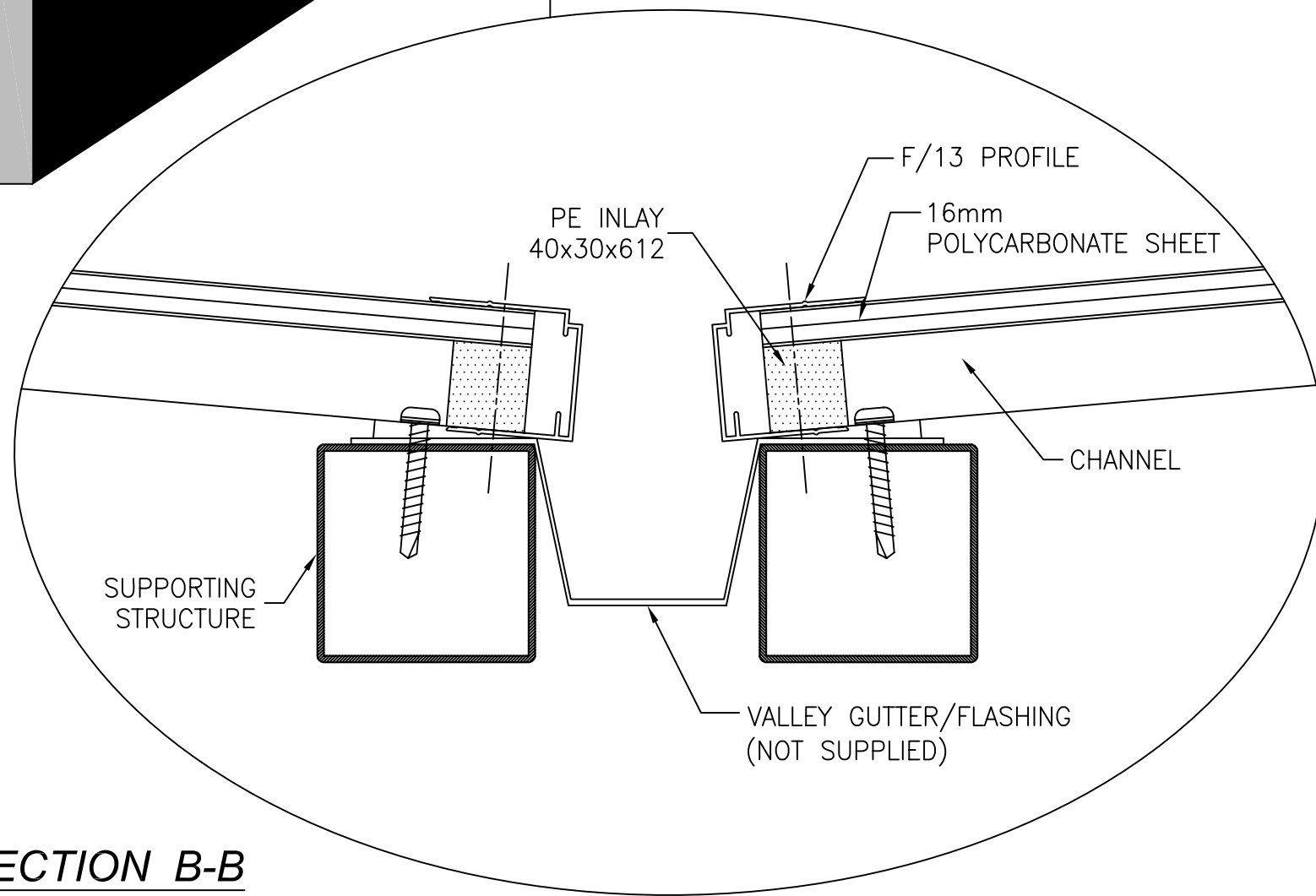
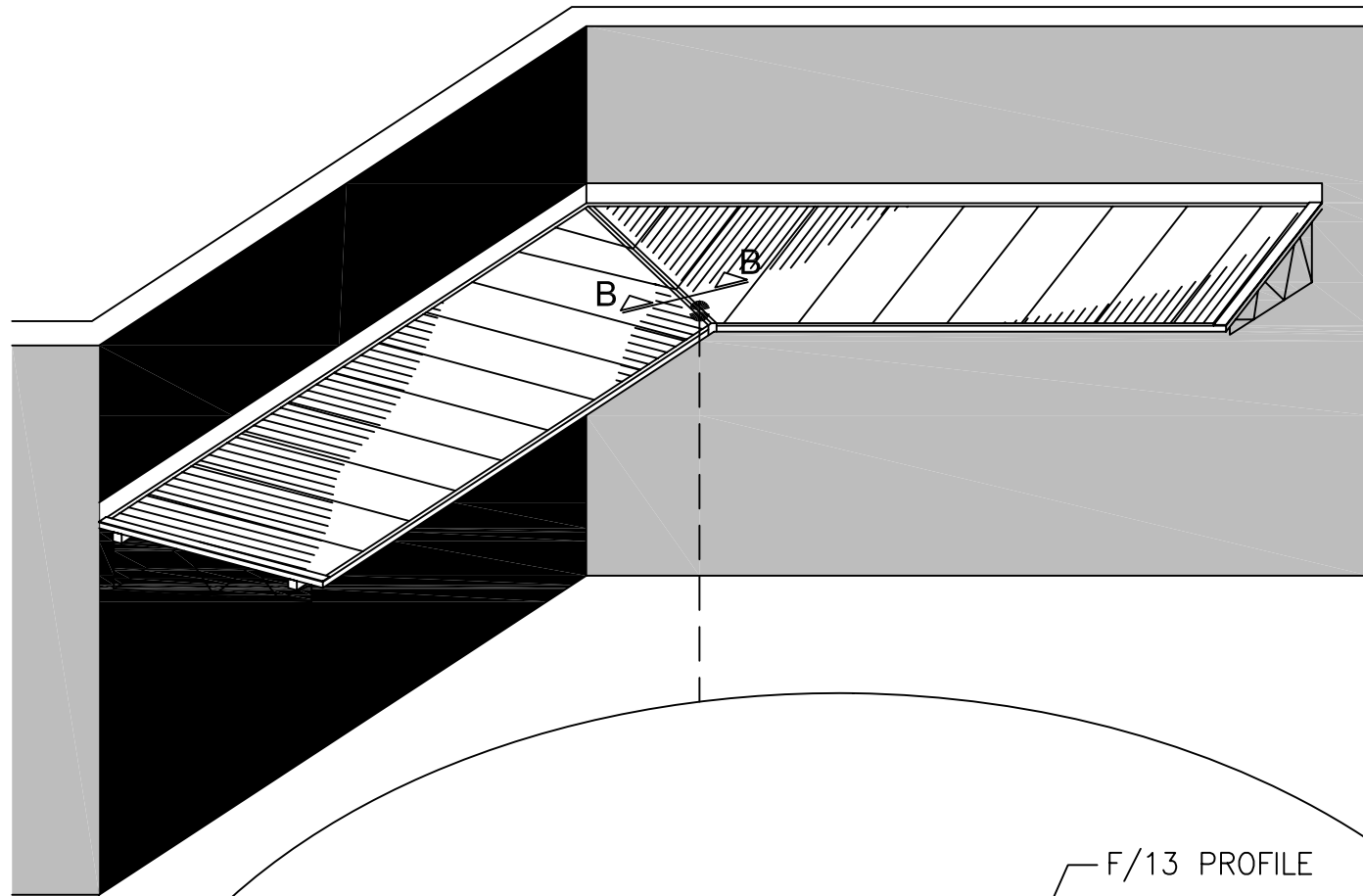


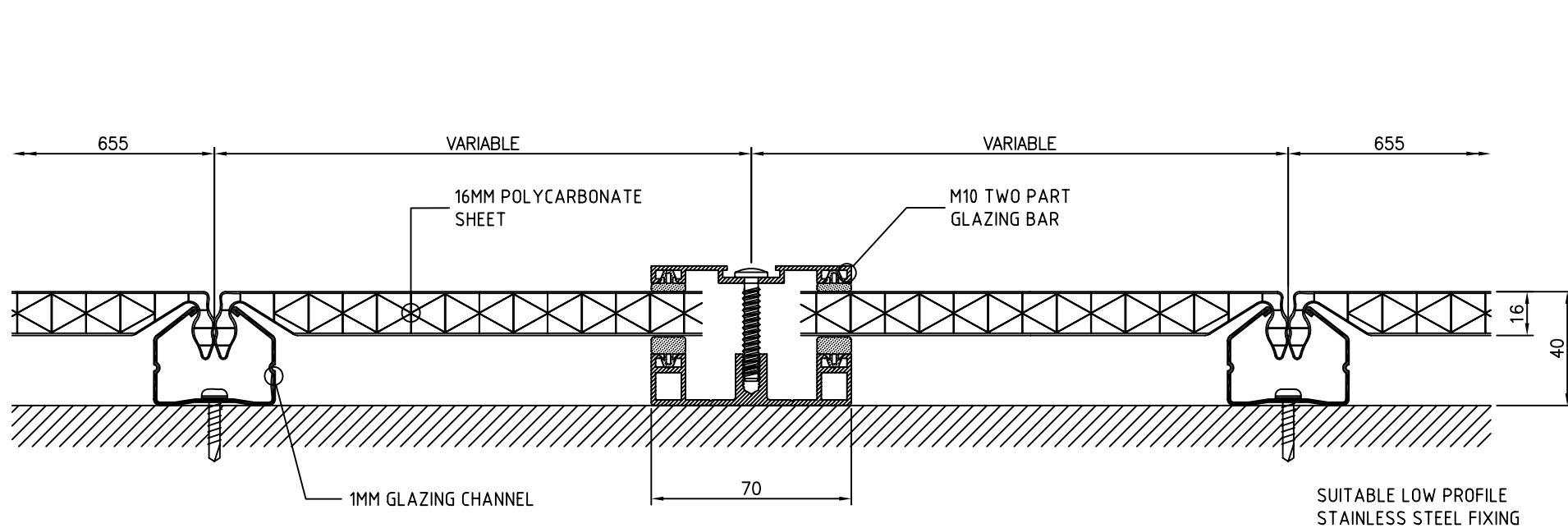
CLIENT:	ROCKWELL
DRAWING INFO:	SYSTEM 655 PITCHED GLAZING -TYPICAL RIDGE DETAIL
DATE:	28/04/10
SCALE	NTS



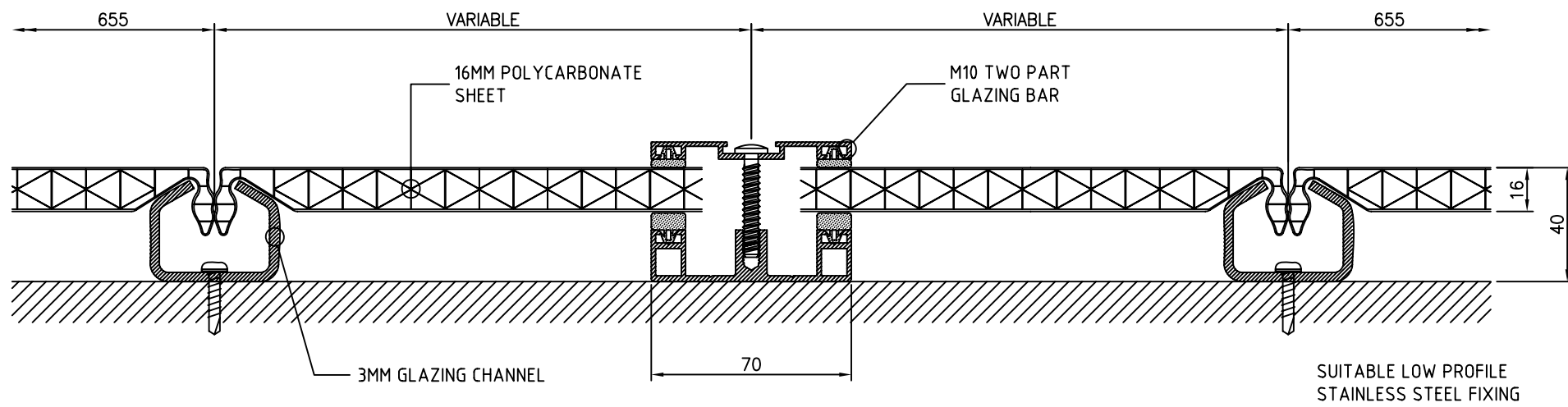
CLIENT:	ROCKWELL
DRAWING INFO:	SYSTEM 655 PITCHED 3mm GLAZING -TYPICAL HIP DETAIL
DATE:	04/05/10
SCALE	NTS



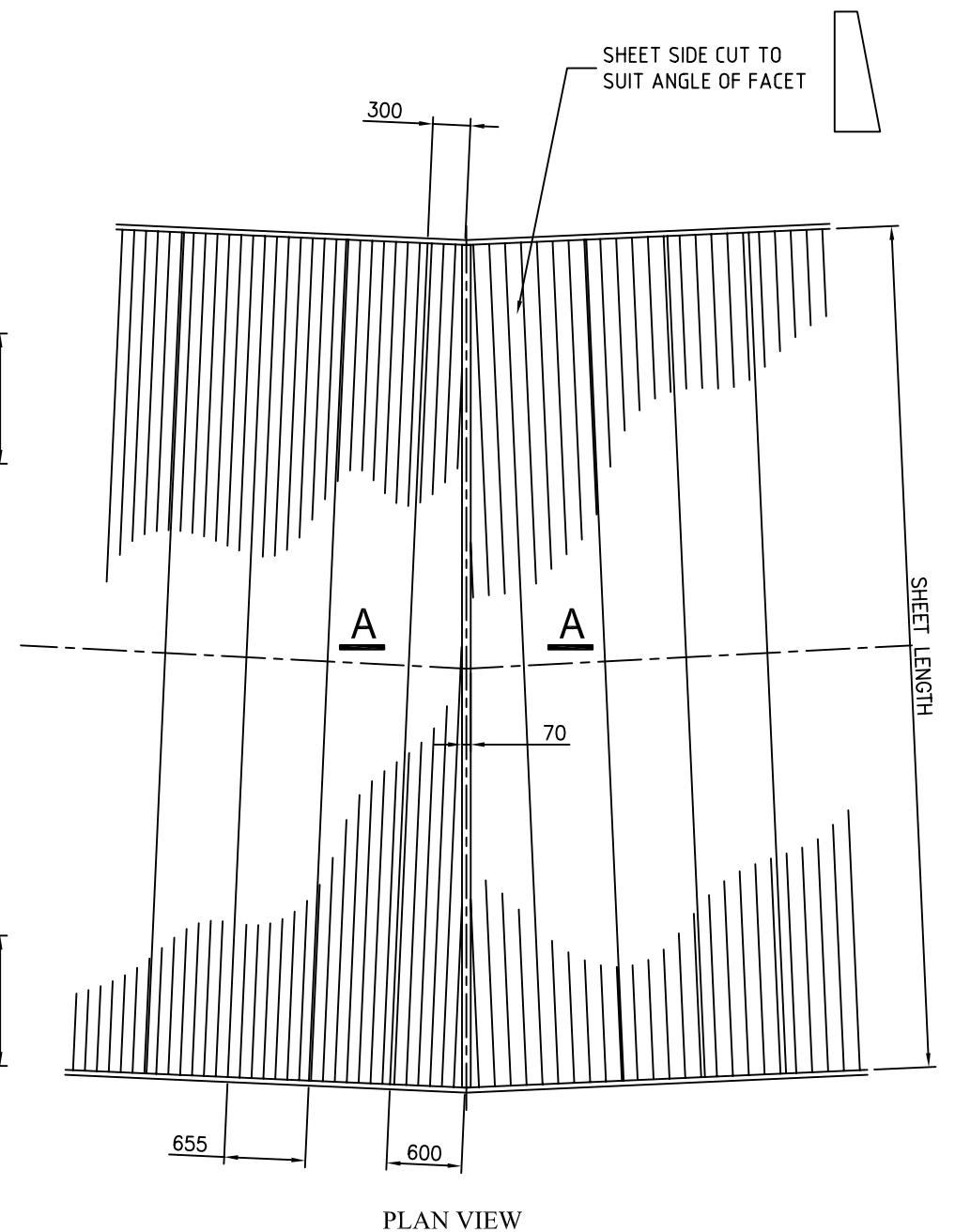
CLIENT:	ROCKWELL
DRAWING INFO:	SYSTEM 655 PITCHED 3mm GLAZING - TYPICAL VALLEY DETAIL
DATE:	10/05/10
SCALE:	NTS



SECTION A-A (1MM GLAZING CHANNEL)



SECTION A-A (3MM GLAZING CHANNEL)



CLIENT:	ROCKWELL
DRAWING INFO:	SYSTEM 655 PITCHED GLAZING -FACET EXAMPLE WITH M10 BAR
DATE:	29/04/10
SCALE	NTS