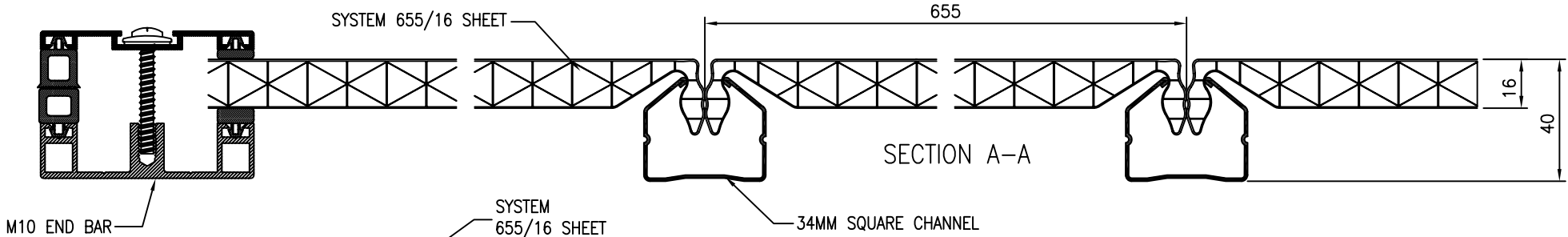
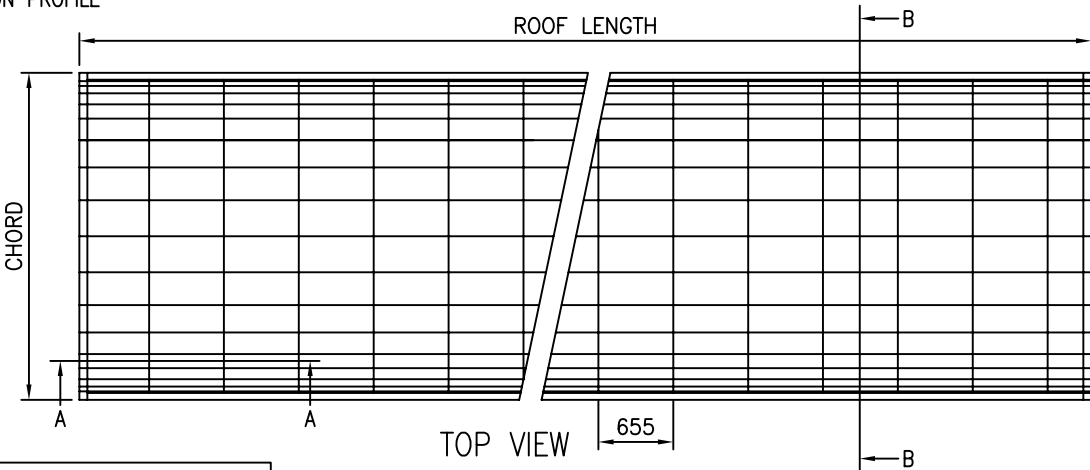
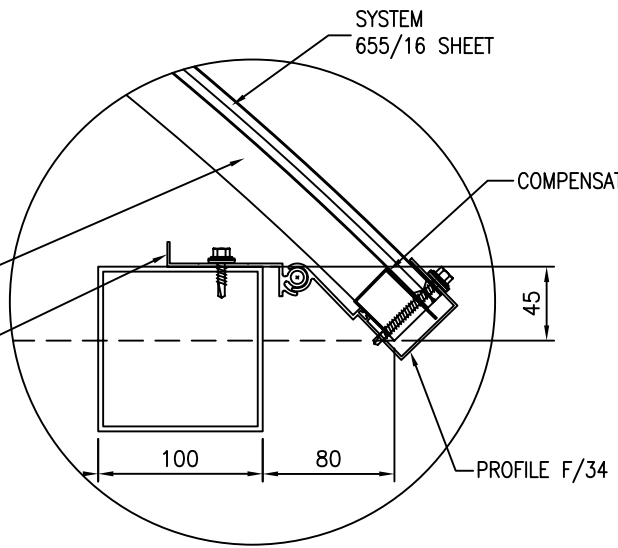


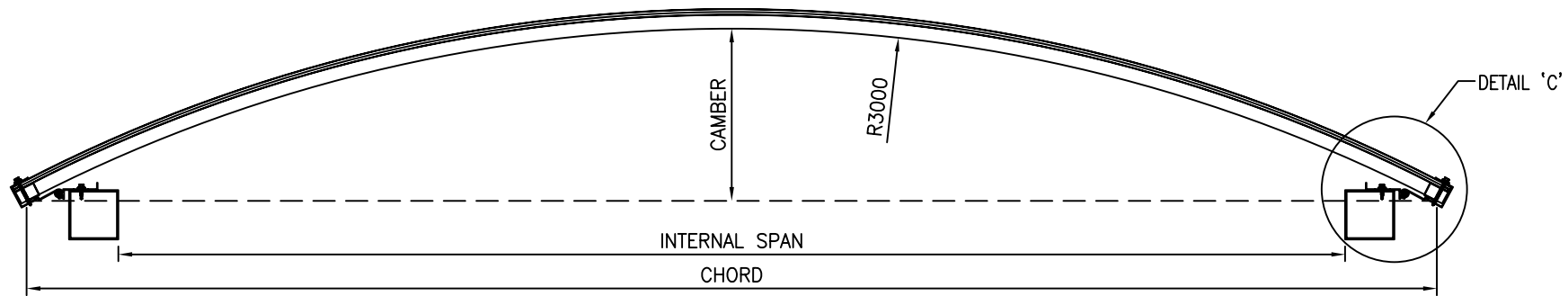
SECTION B-B



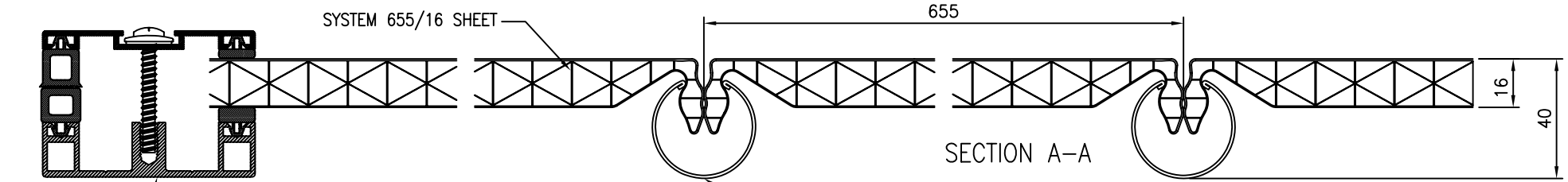
SECTION A-A



CLIENT:	ROCKWELL
DRAWING INFO:	SYSTEM 655/16 CURVED SECTIONS WITH 34MM SQUARE CHANNEL
DATE:	17/06/10
SCALE:	NTS



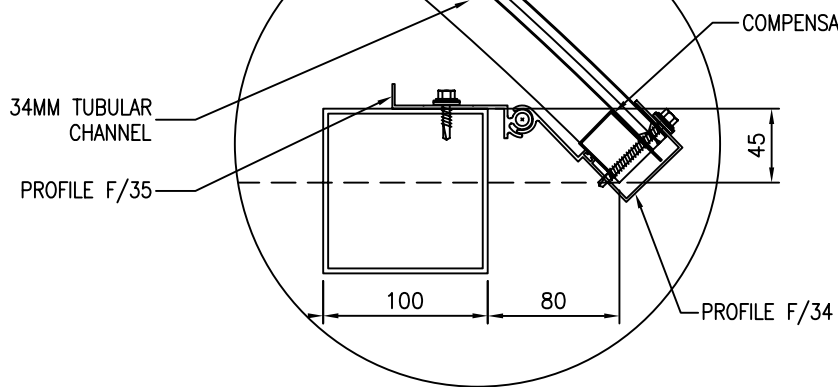
SECTION B-B



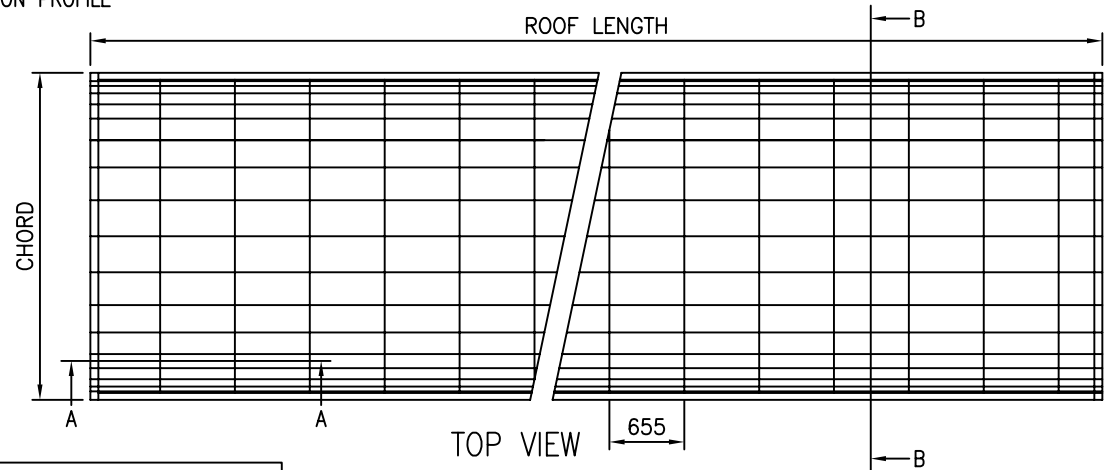
M10 END BAR

SYSTEM 655/16 SHEET

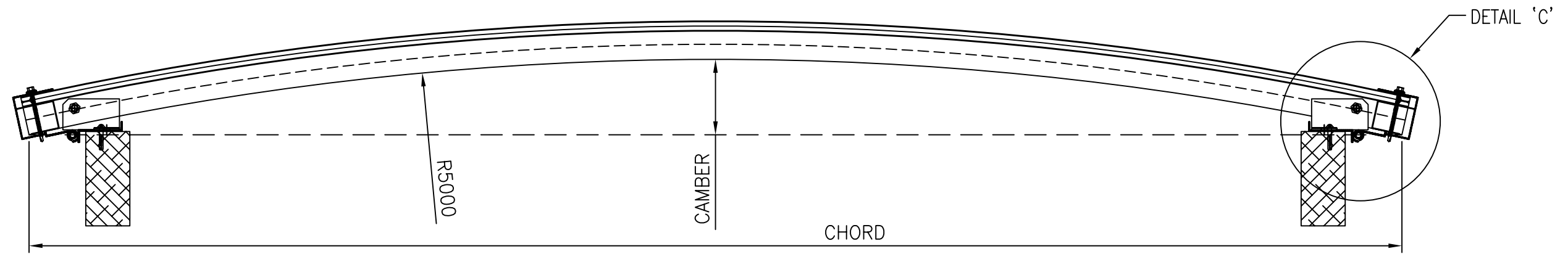
34MM TUBULAR CHANNEL



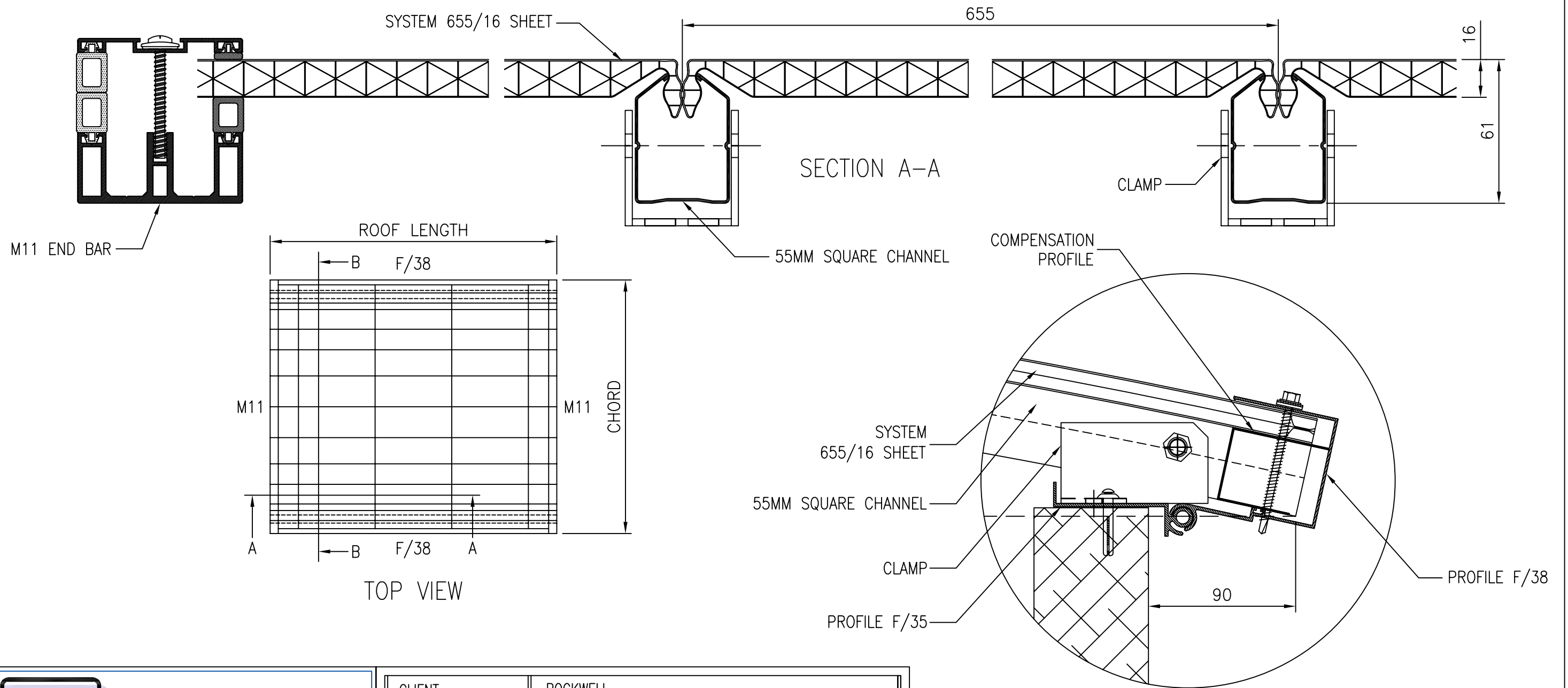
DETAIL 'C'



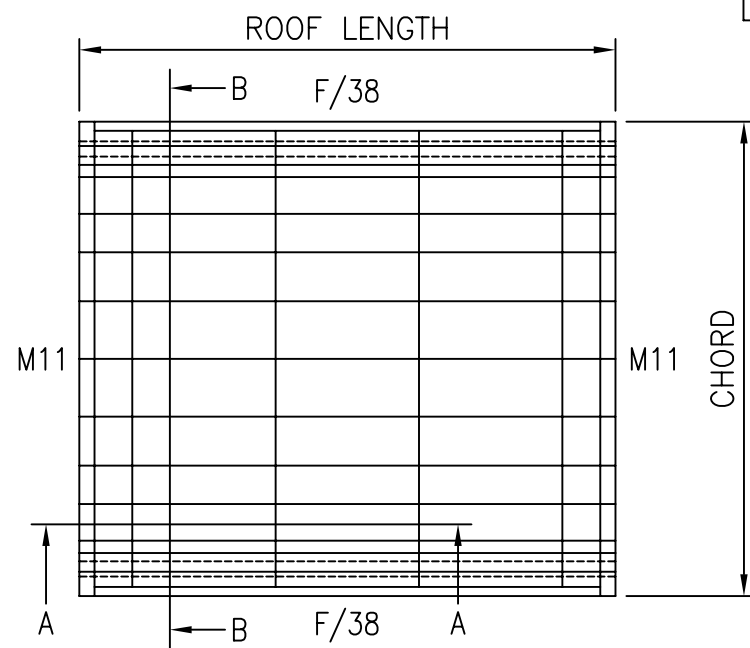
CLIENT:	ROCKWELL
DRAWING INFO:	SYSTEM 655/16 CURVED SECTIONS WITH 34MM TUBULAR CHANNEL
DATE:	16/06/10
SCALE	NTS



SECTION B-B



SECTION A-A

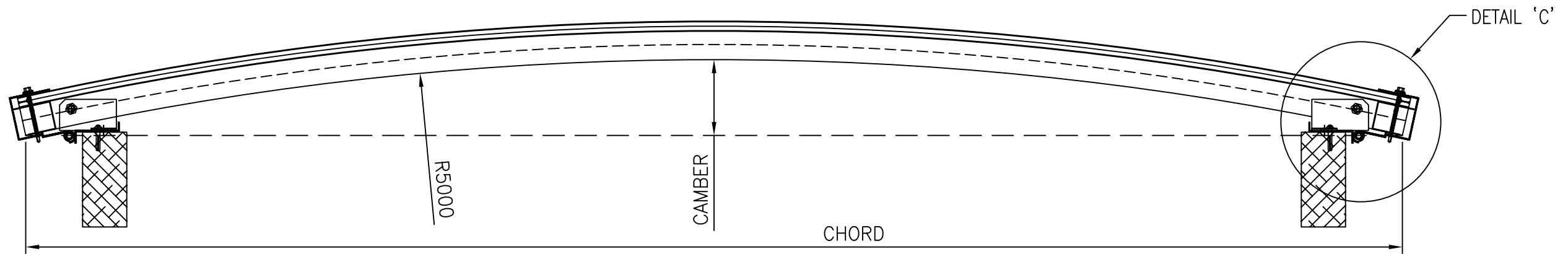


TOP VIEW

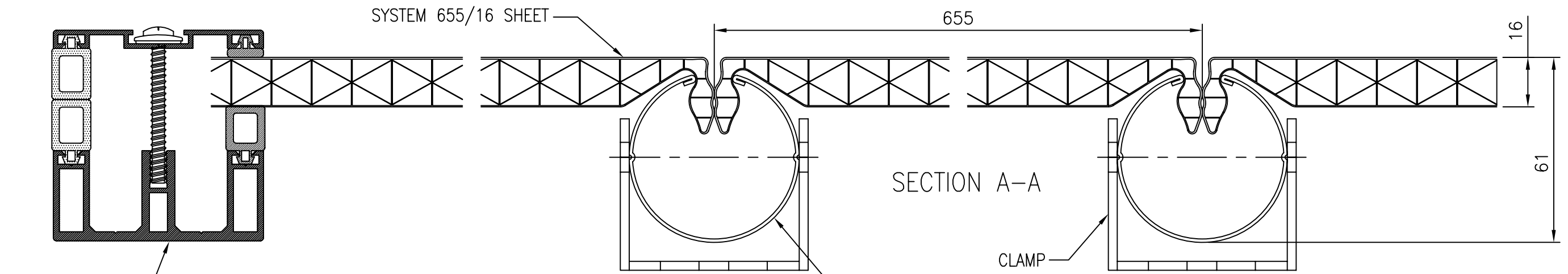
CLIENT:	ROCKWELL
DRAWING INFO:	SYSTEM 655-16 WITH 55MM SQUARE CHANNEL
DATE:	16/06/10
SCALE	NTS



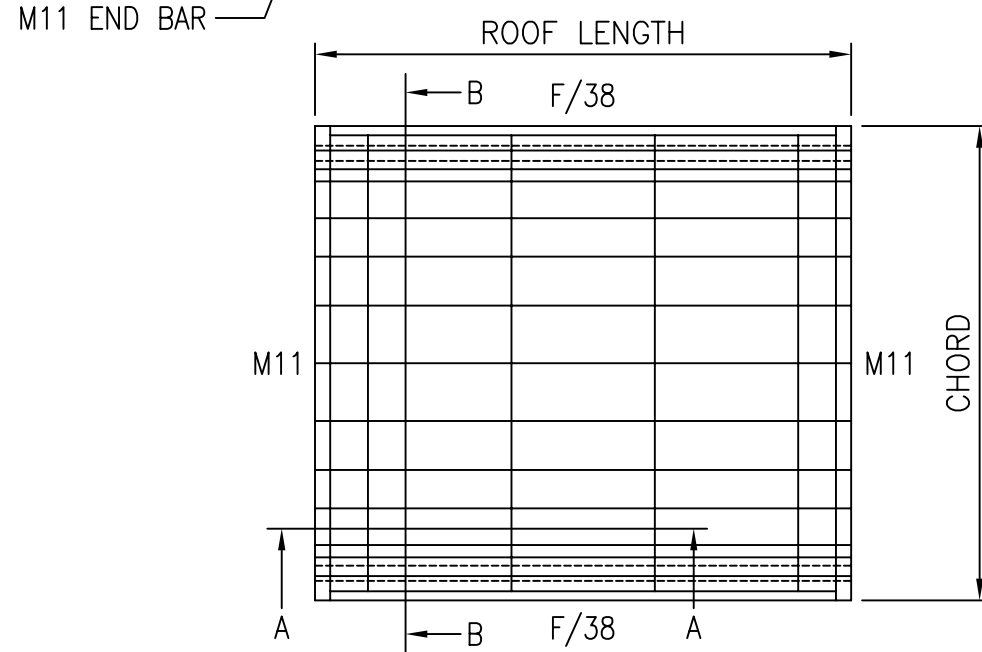
DETAIL 'C'



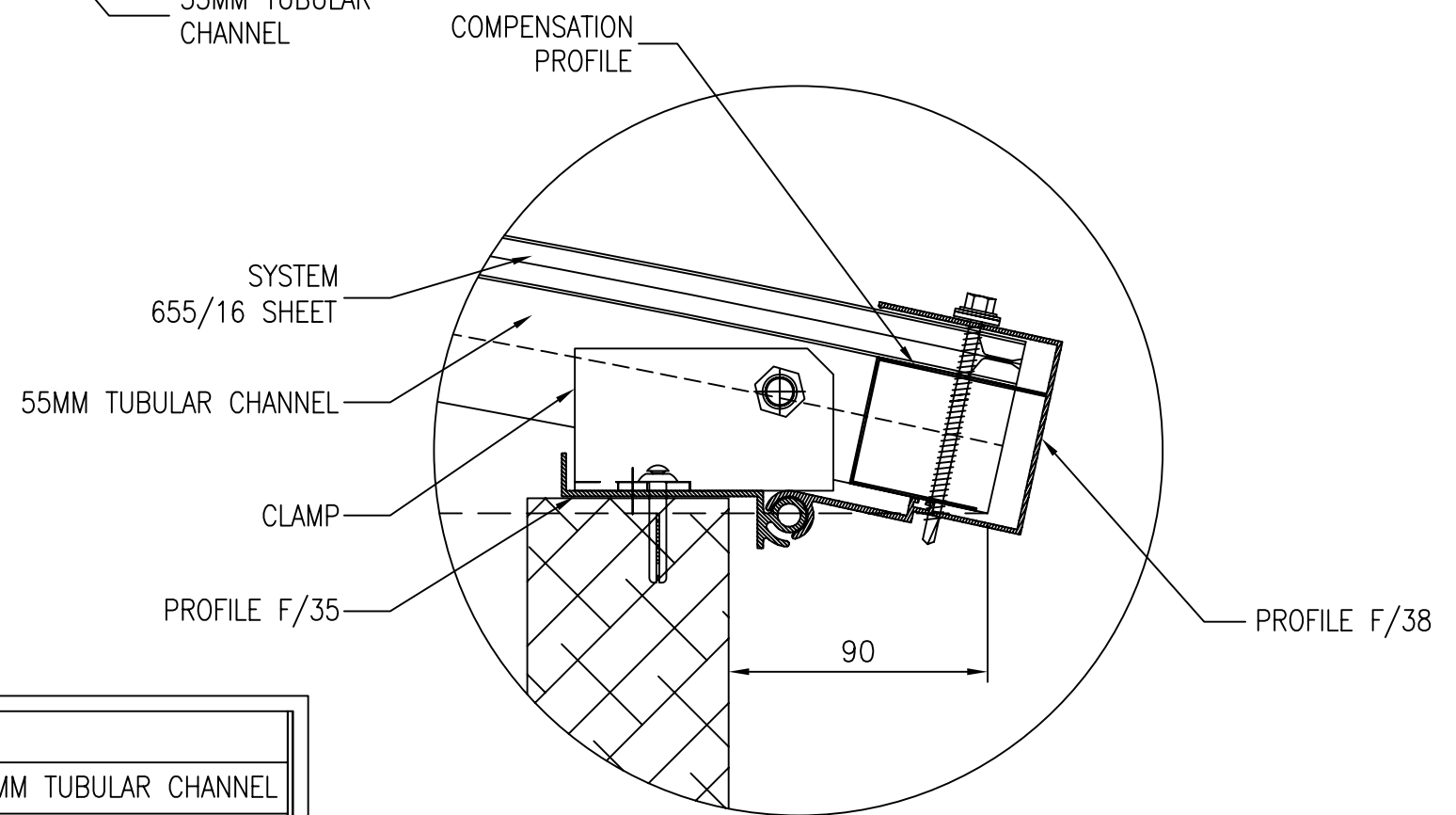
SECTION B-B



SECTION A-A



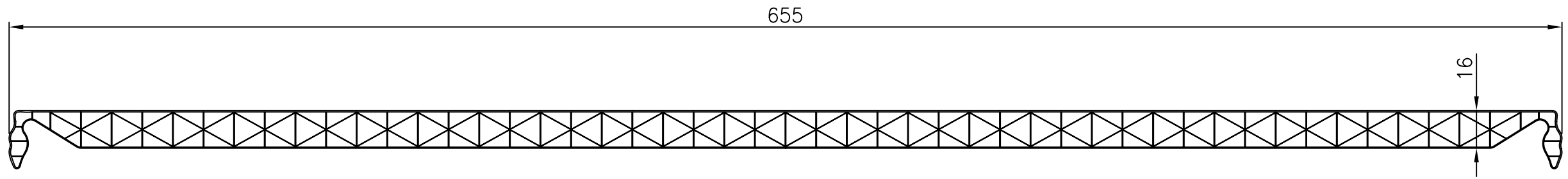
TOP VIEW



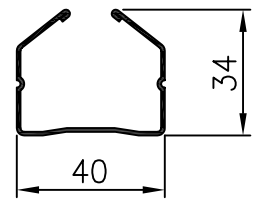
DETAIL 'C'



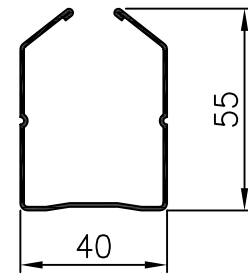
CLIENT:	ROCKWELL
DRAWING INFO:	SYSTEM 655-16 WITH 55MM TUBULAR CHANNEL
DATE:	16/06/10
SCALE	NTS



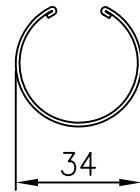
SYSTEM 655-16 SHEET



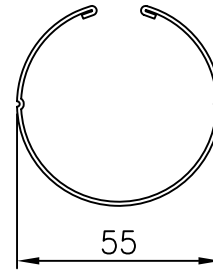
34MM SQUARE CHANNEL



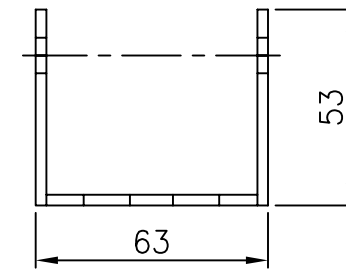
55MM SQUARE CHANNEL



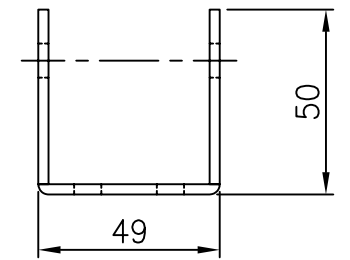
34MM TUBULAR CHANNEL



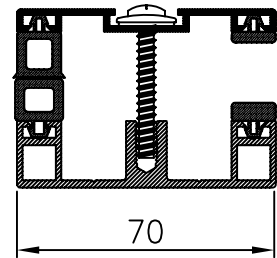
55MM TUBULAR CHANNEL



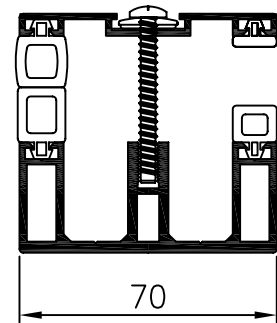
CLAMP FOR 55MM TUBULAR CHANNEL



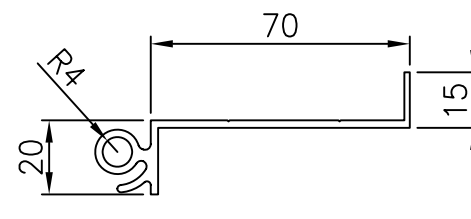
CLAMP FOR 55MM SQUARE CHANNEL



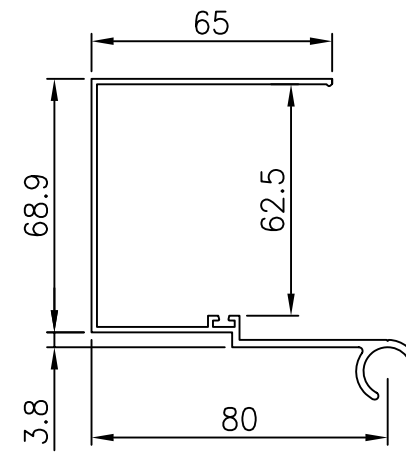
M10 END BAR



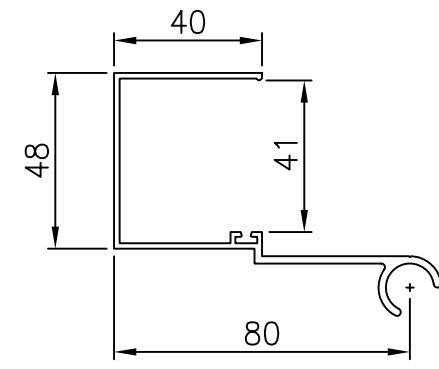
M11 END BAR



PROFILE F/35



PROFILE F/38



PROFILE F/34



CLIENT:	ROCKWELL
DRAWING INFO:	SYSTEM 655/16 CURVED - CHANNELS, PROFILES & CLAMPS
DATE:	06/07/10
SCALE	NTS