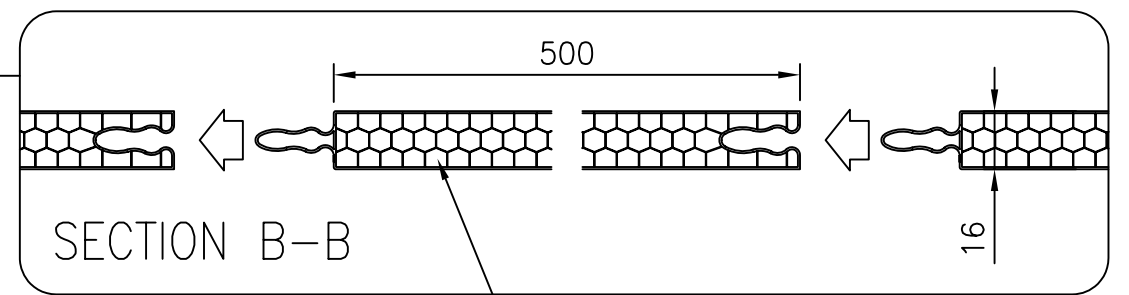
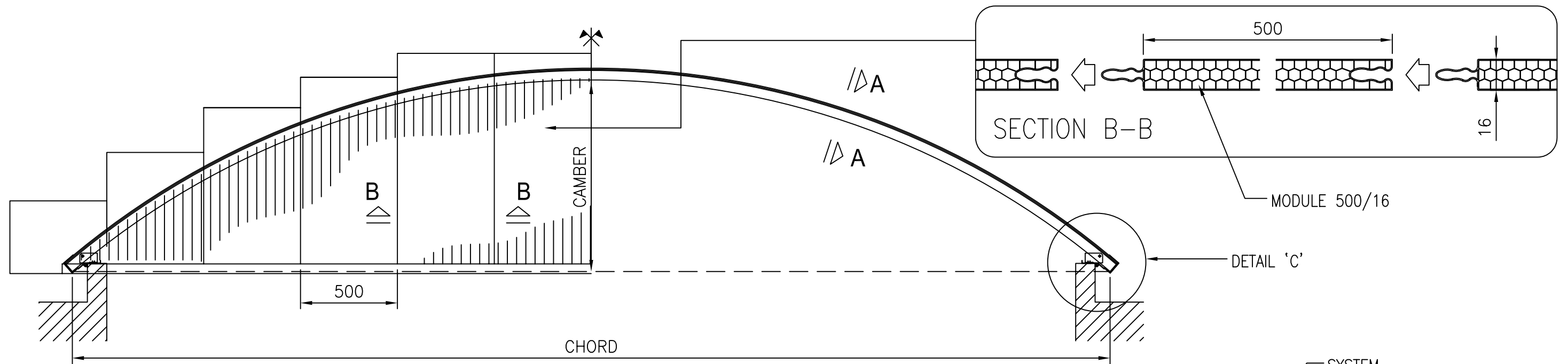
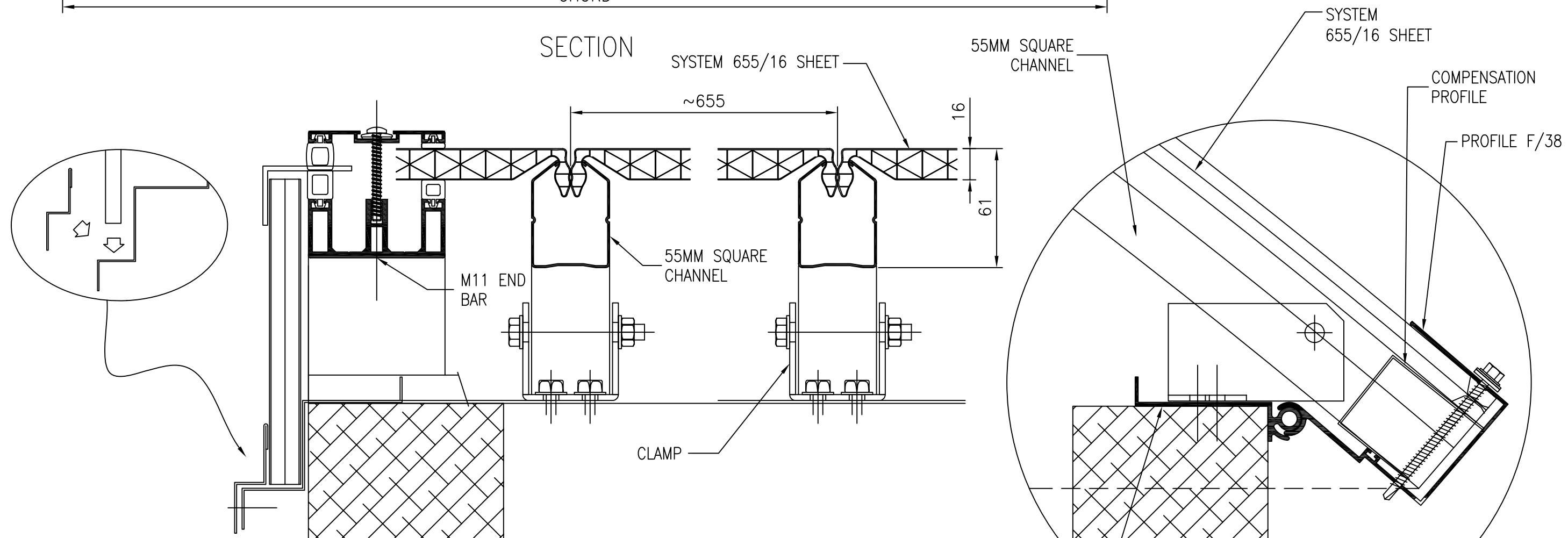


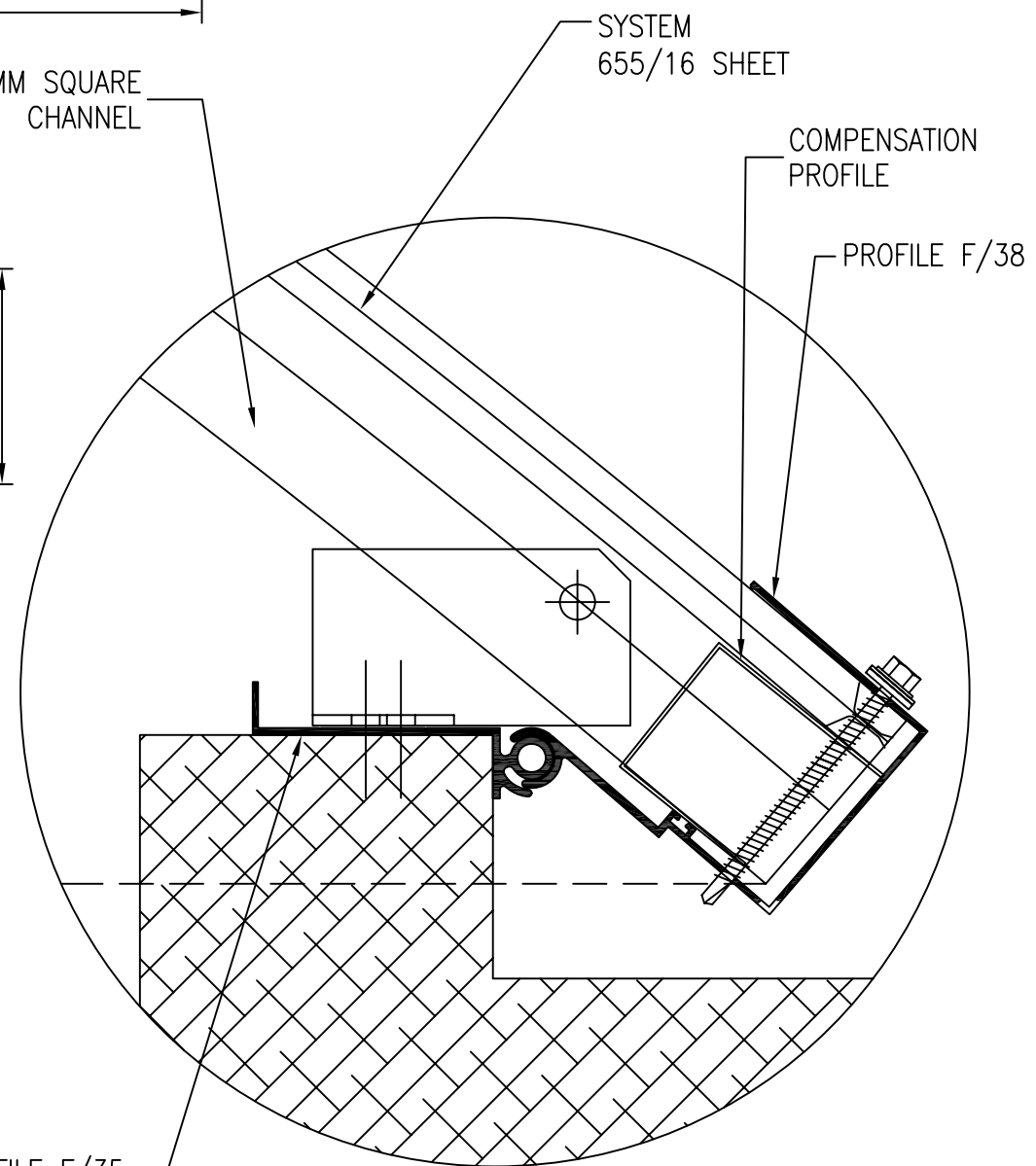
CLIENT:	ROCKWELL
DRAWING INFO:	HEADER DETAIL WITH 34MM SQUARE CHANNEL
DATE:	18/06/10
SCALE	NTS



SECTION



SECTION A-A

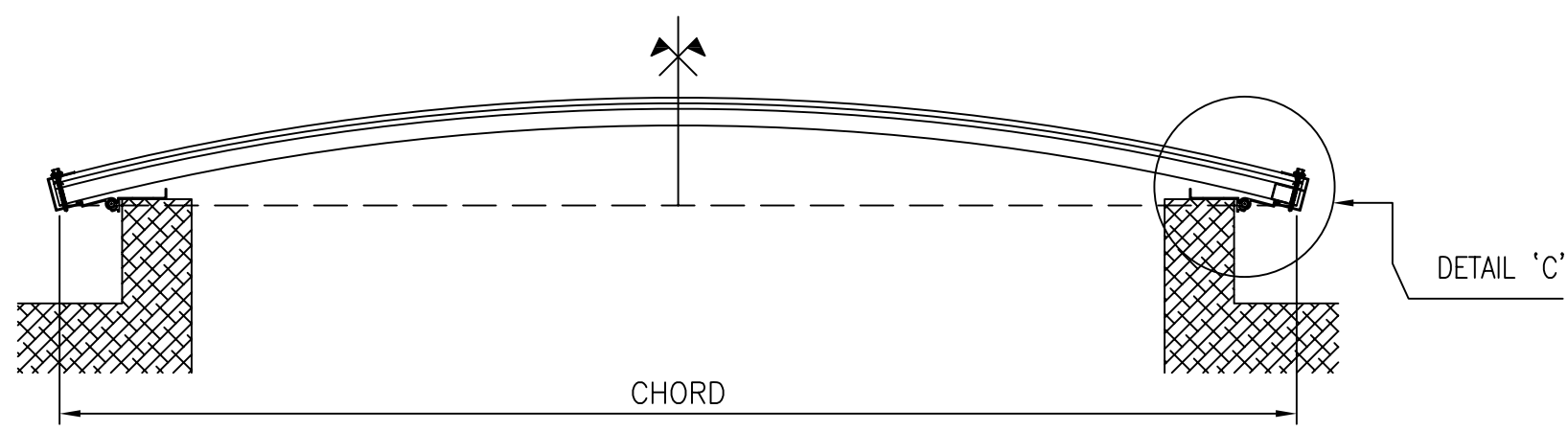


DETAIL 'C'

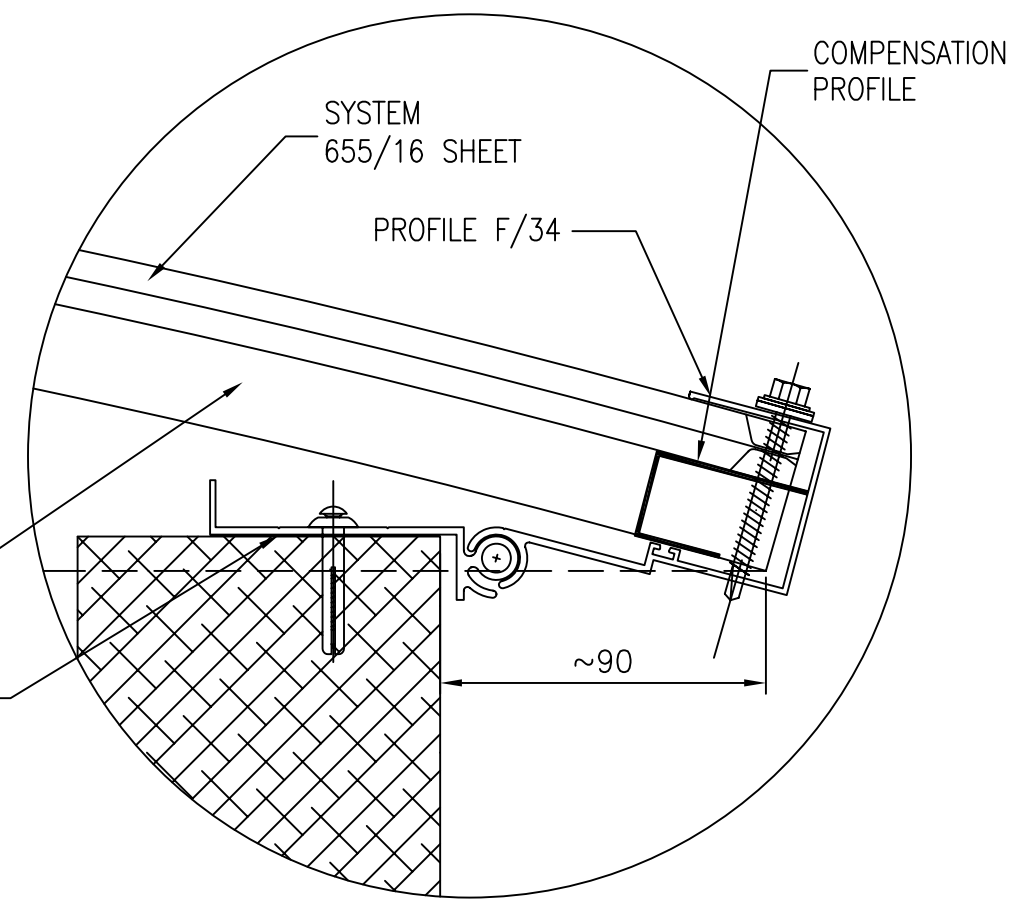


Rockwell
GLAZING SOLUTIONS

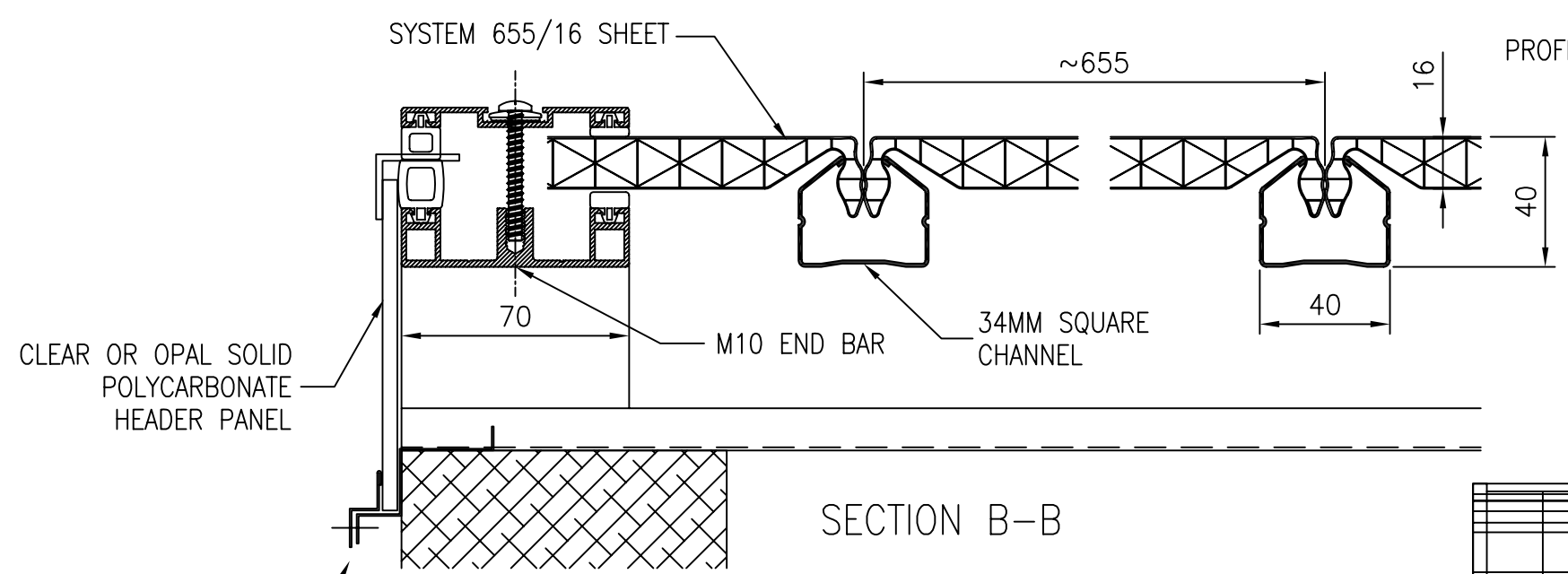
CLIENT:	ROCKWELL
DRAWING INFO:	HEADER DETAIL WITH 55MM SQUARE CHANNEL
DATE:	30/06/10
SCALE	NTS



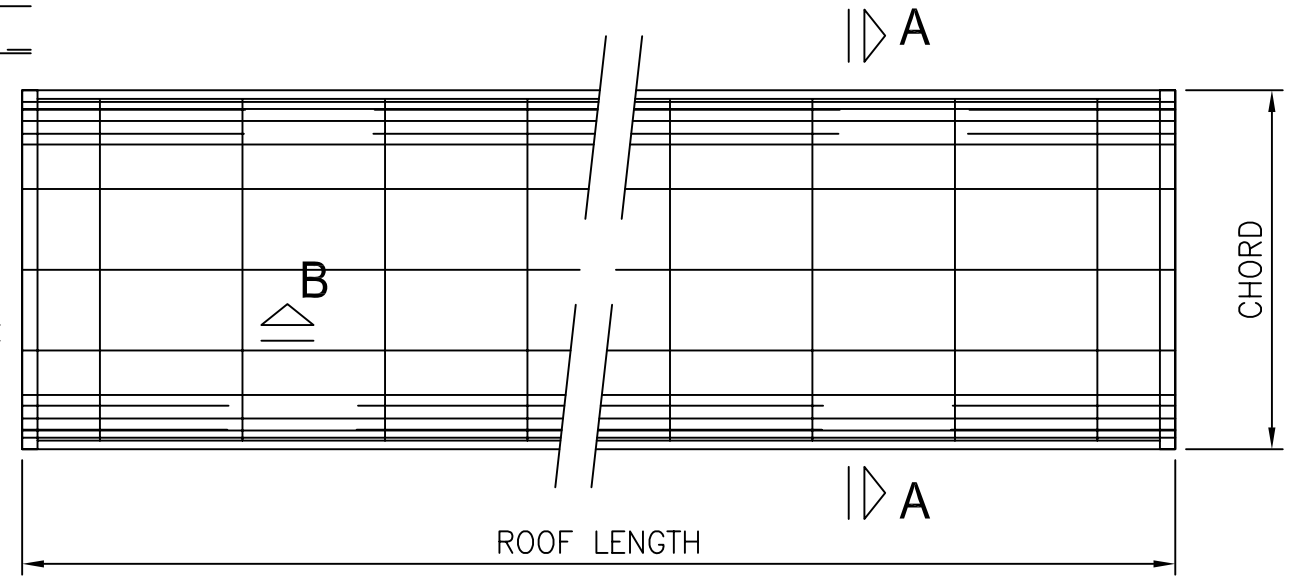
SECTION A-A



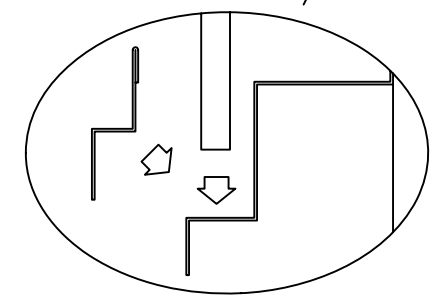
DETAIL 'C'



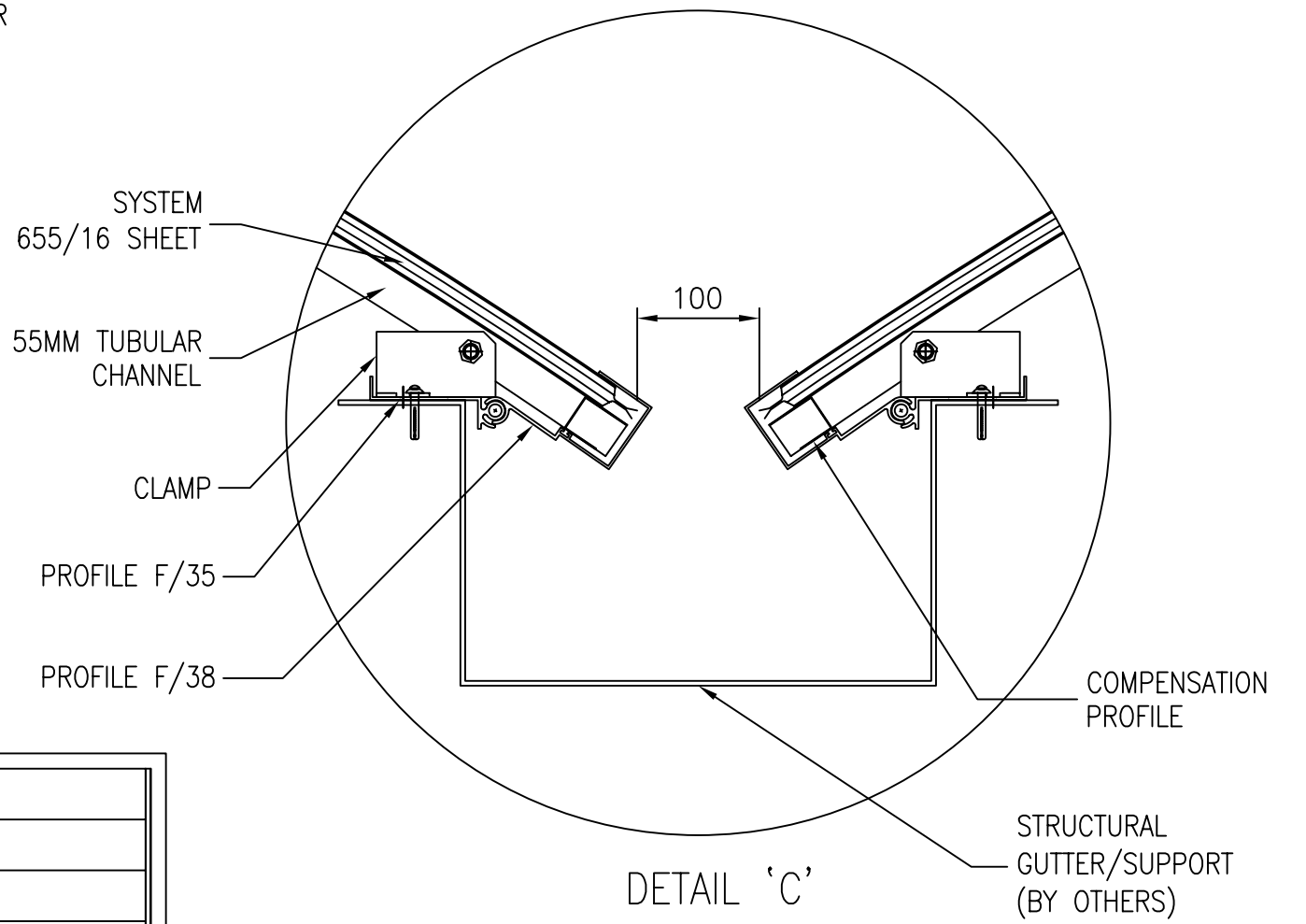
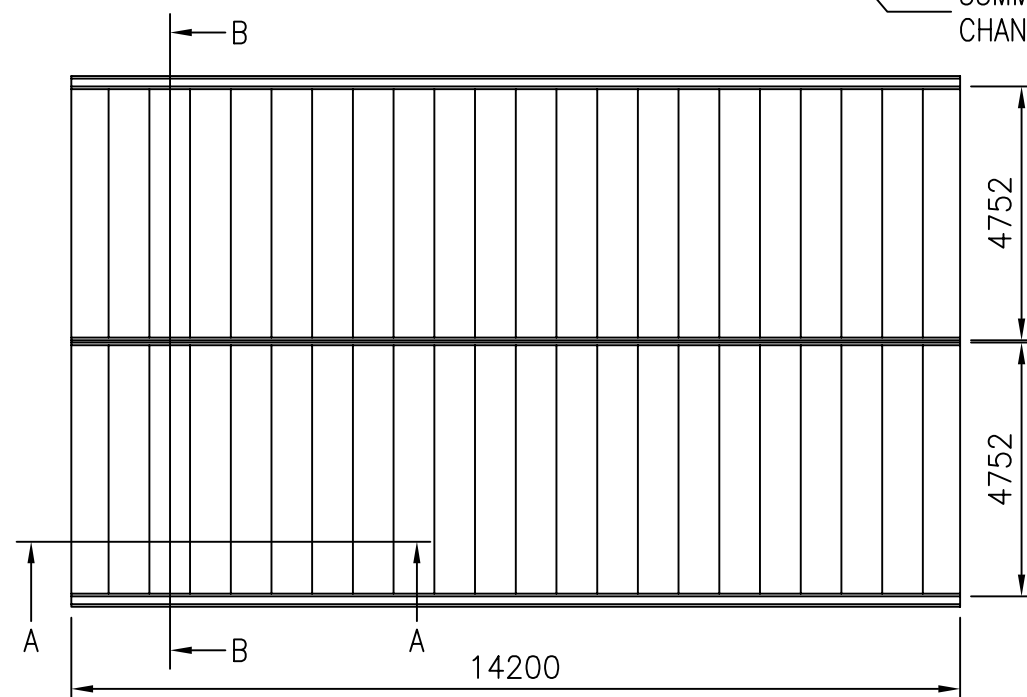
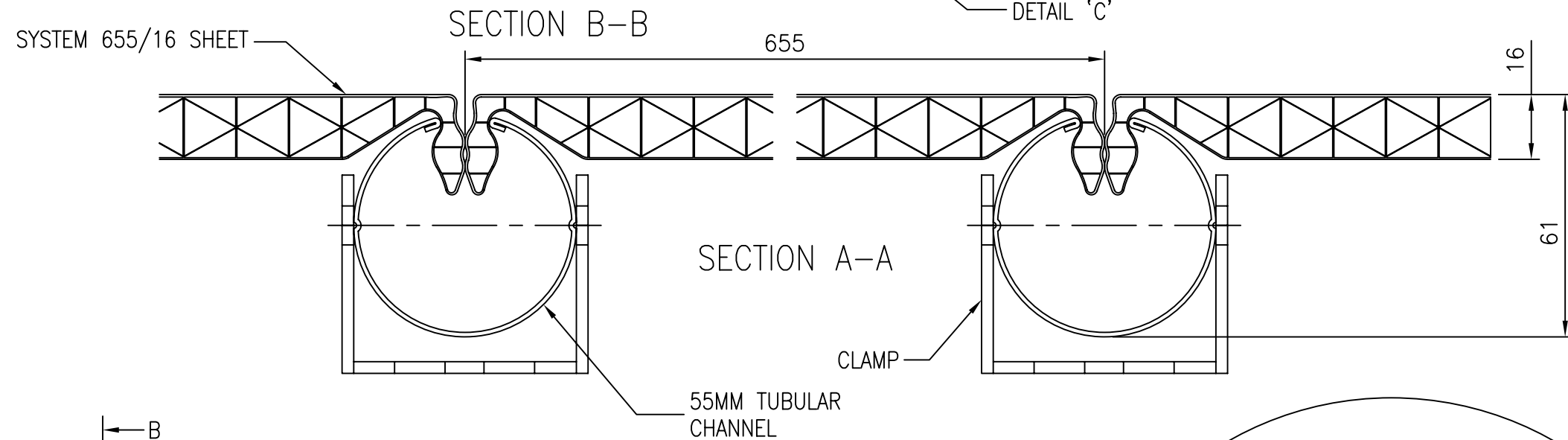
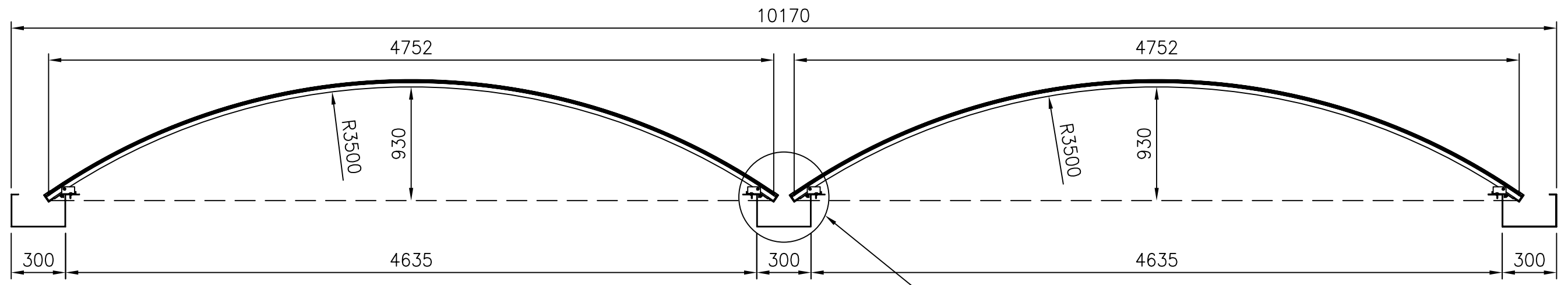
SECTION B-B



TOP VIEW



CLIENT:	ROCKWELL
DRAWING INFO:	HEADER DETAIL WITH SOLID POLYCARBONATE PANEL
DATE:	30/06/10
SCALE	NTS



CLIENT:	ROCKWELL
DRAWING INFO:	CURVED DOUBLE BARREL
DATE:	01/07/10
SCALE	NTS