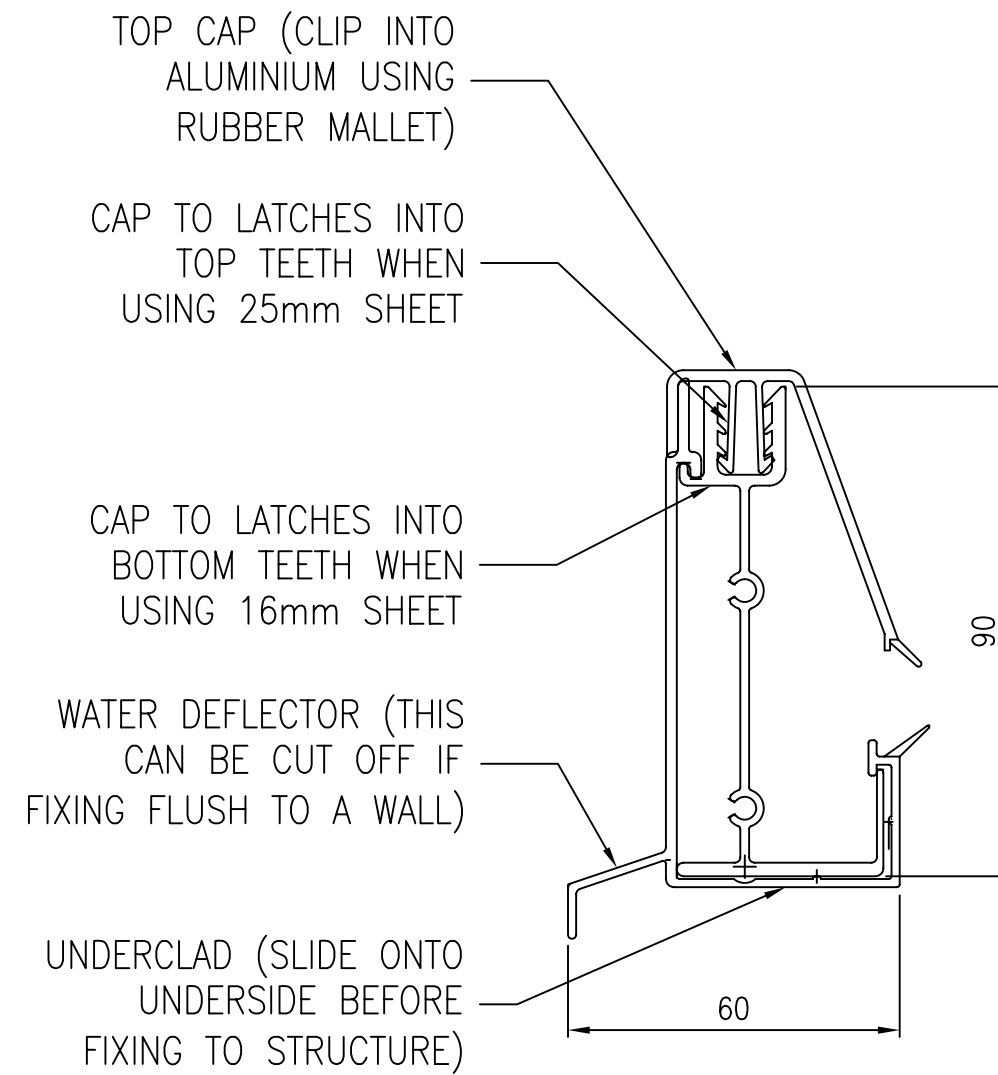


INTERMEDIATE STRUCTURAL GLAZING BAR  
(FOR 16MM-25MM MULTIWALL POLYCARBONATE SHEET)

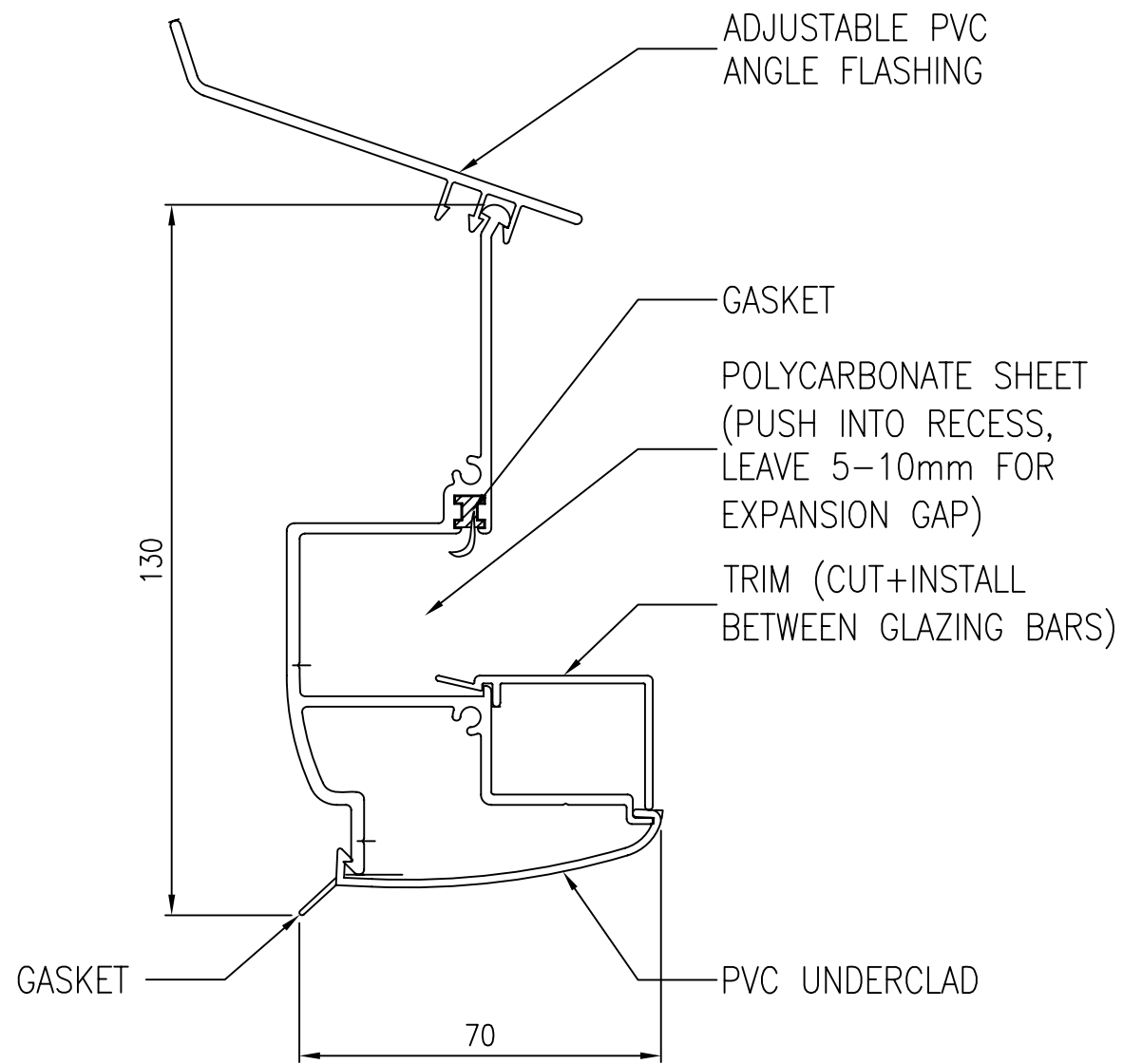


END STRUCTURAL GLAZING BAR  
(FOR 16MM-25MM MULTIWALL POLYCARBONATE SHEET)

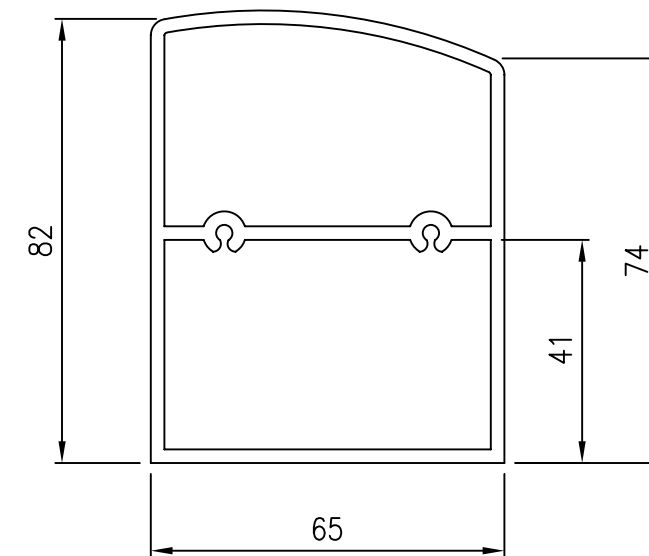


**Rockwell**  
GLAZING SOLUTIONS

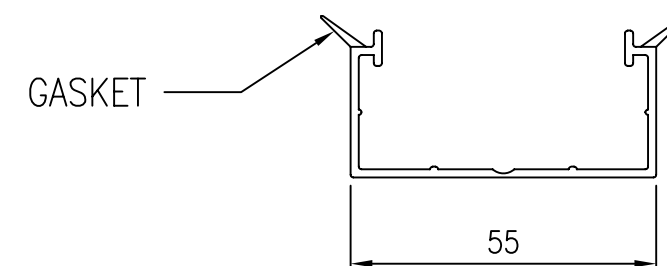
CLIENT:	ROCKWELL
DRAWING INFO:	SNAP DOWN STRUCTURAL GLAZING BAR SYSTEM_1
DATE:	07/10/10
SCALE	NTS



VARIABLE PITCH  
WALL PLATE FOR  
STRUCTURAL GLAZING BAR



STANDARD EAVES BEAM

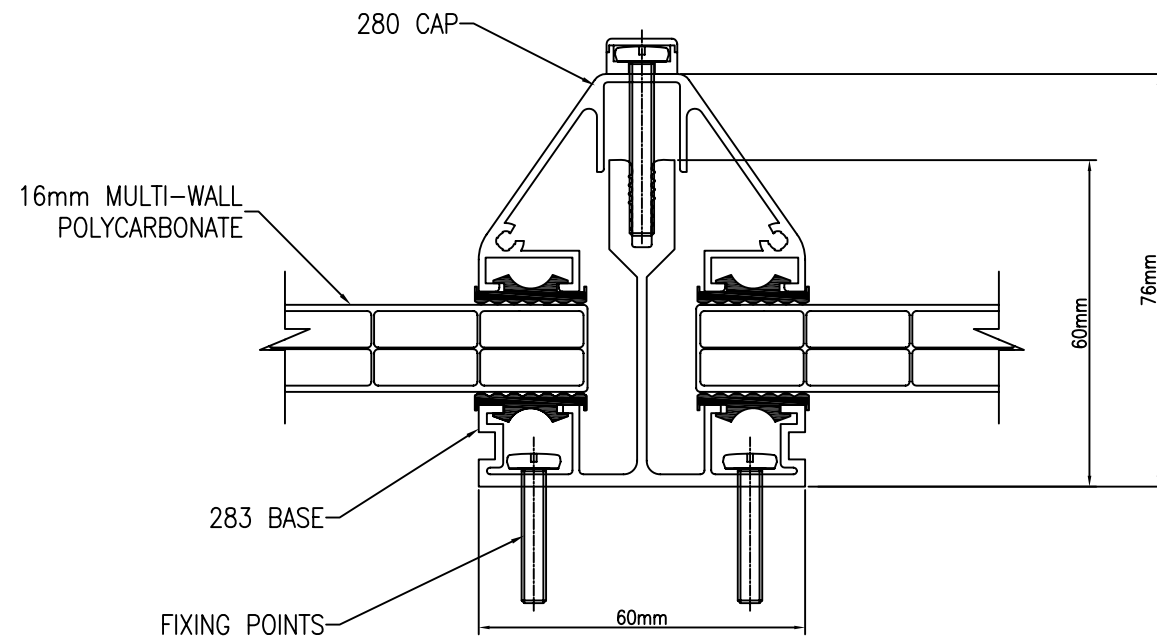


EAVES FILLER FOR EAVES  
BEAM/CROSS SUPPORTS (OPTIONAL)

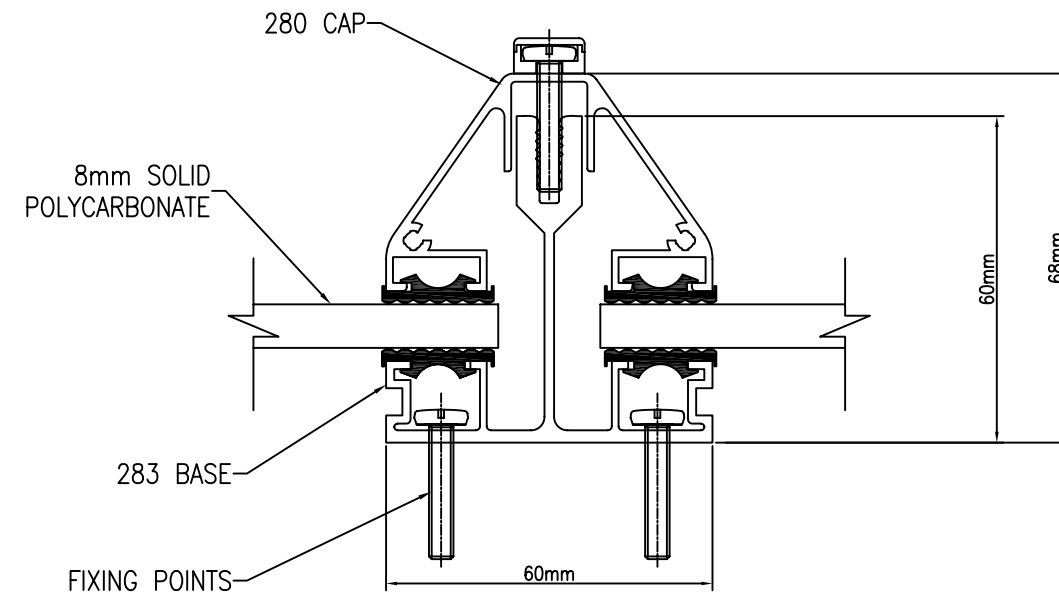


**Rockwell**  
GLAZING SOLUTIONS

CLIENT:	ROCKWELL
DRAWING INFO:	SNAP DOWN STRUCTURAL GLAZING BAR SYSTEM_2
DATE:	07/10/10
SCALE	NTS



280 BAR WITH 16mm  
MULTI-WALL POLYCARBONATE



280 BAR WITH 8mm  
SOLID POLYCARBONATE



CLIENT:	ROCKWELL
DRAWING INFO:	280 BAR WITH POLYCARBONATE SHEET_2
DATE:	24/09/10
SCALE	NTS