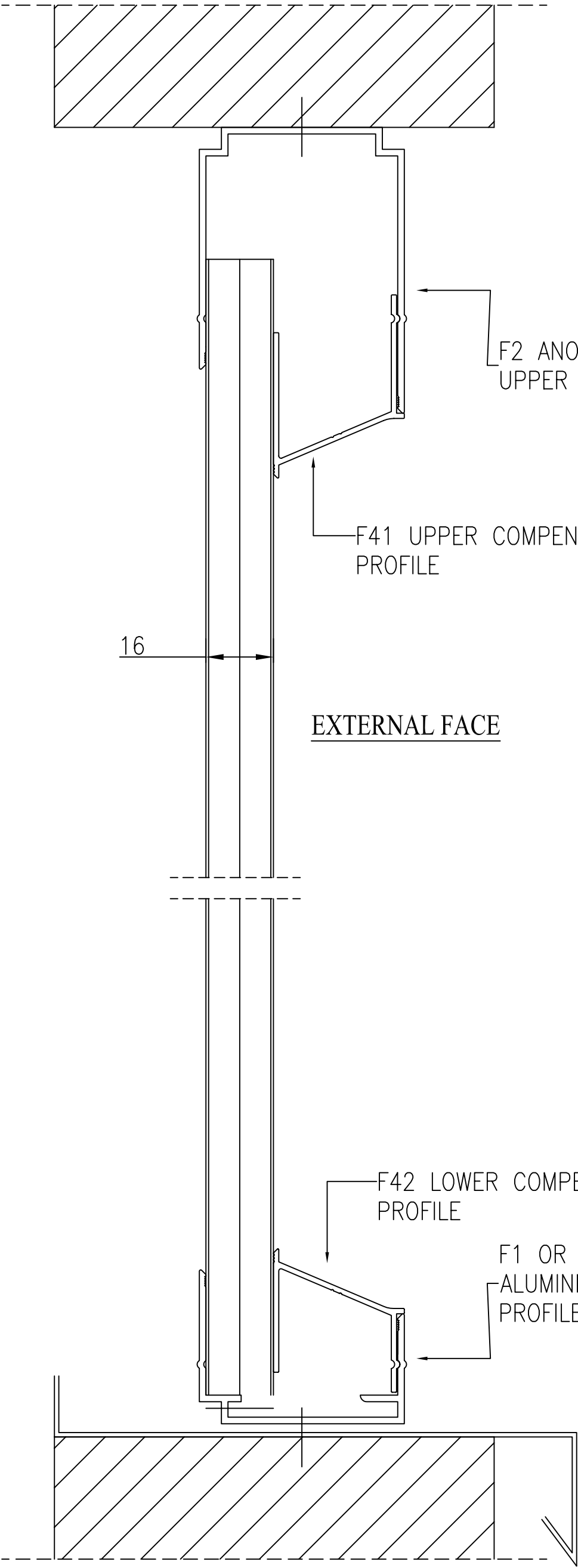


MODULE 500/16
VERTICAL SECTION

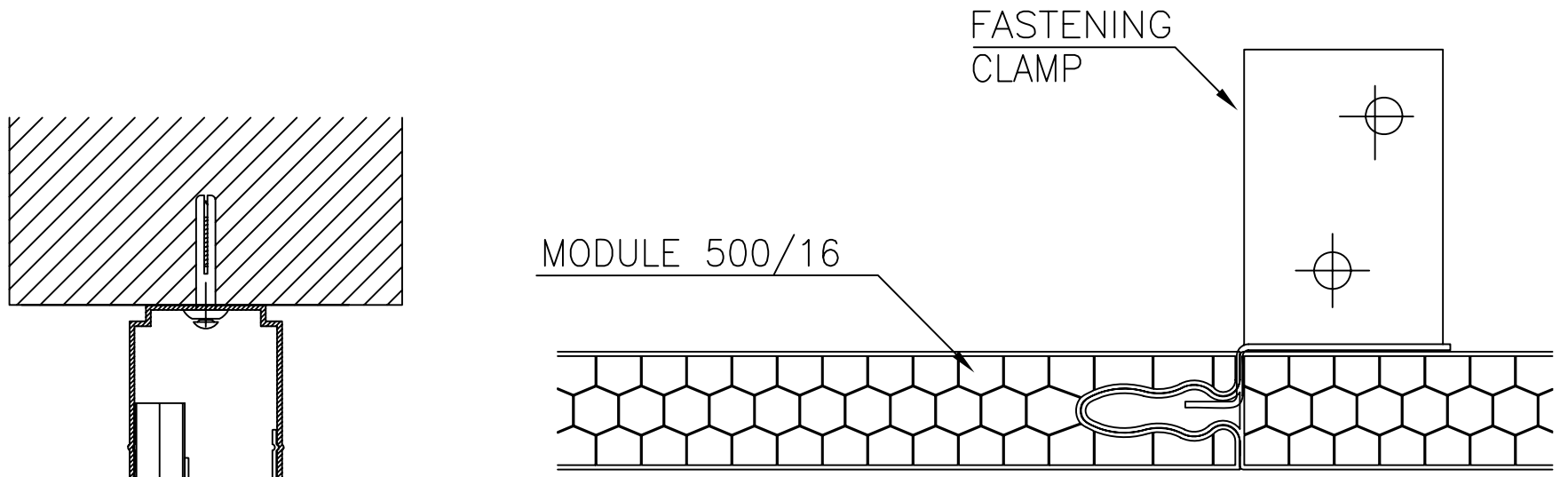


EXTERNAL FACE

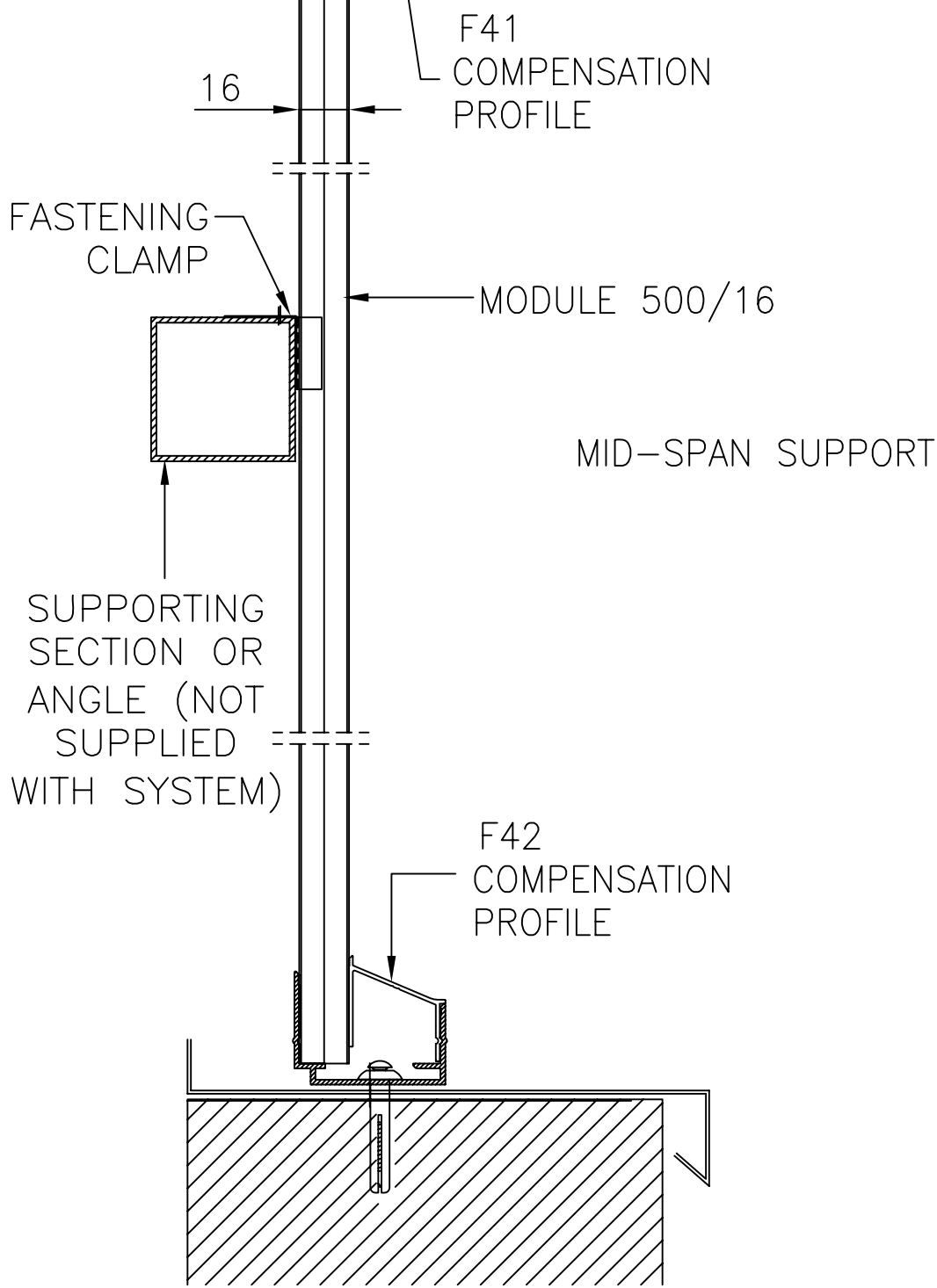


Rockwell
GLAZING SOLUTIONS

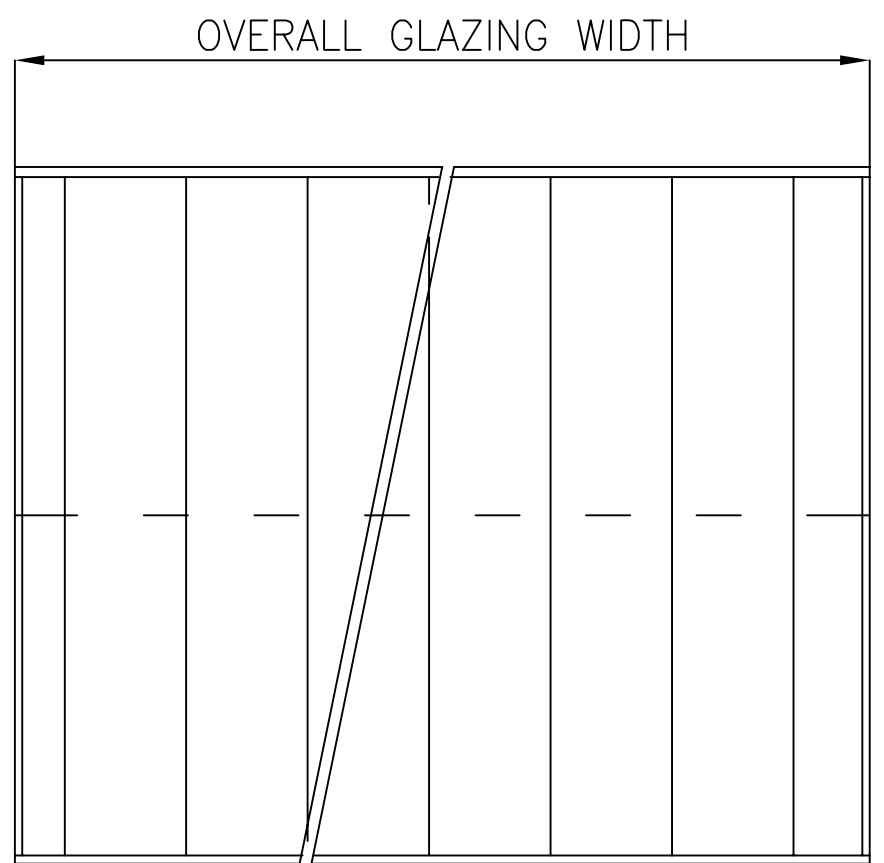
CLIENT:	ROCKWELL
DRAWING INFO:	MODULE 500/16 VERTICAL SECTION
DATE:	31/05/10
SCALE	NTS



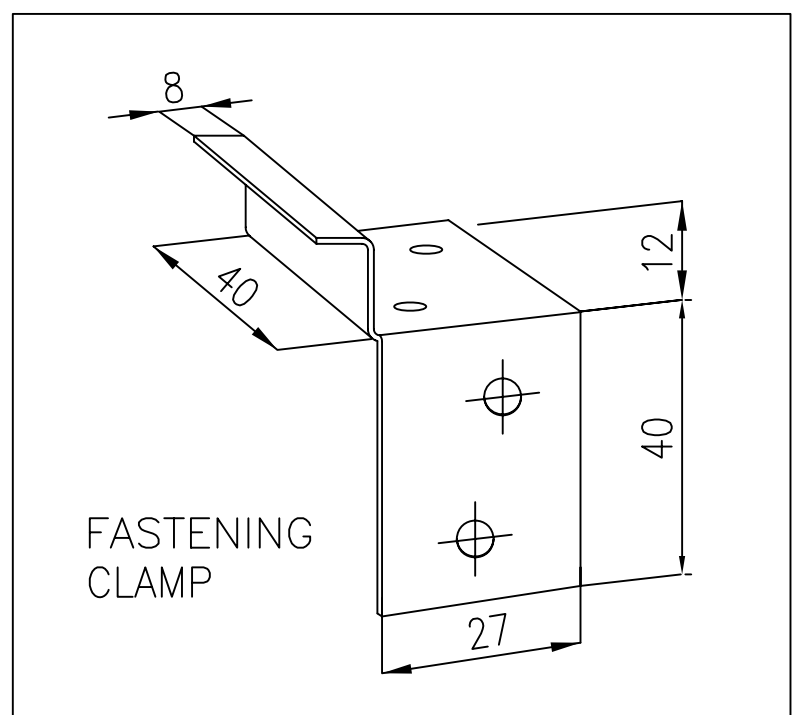
HORIZONTAL SECTION - PLAN VIEW



VERTICAL SECTION



FRONT ELEVATION



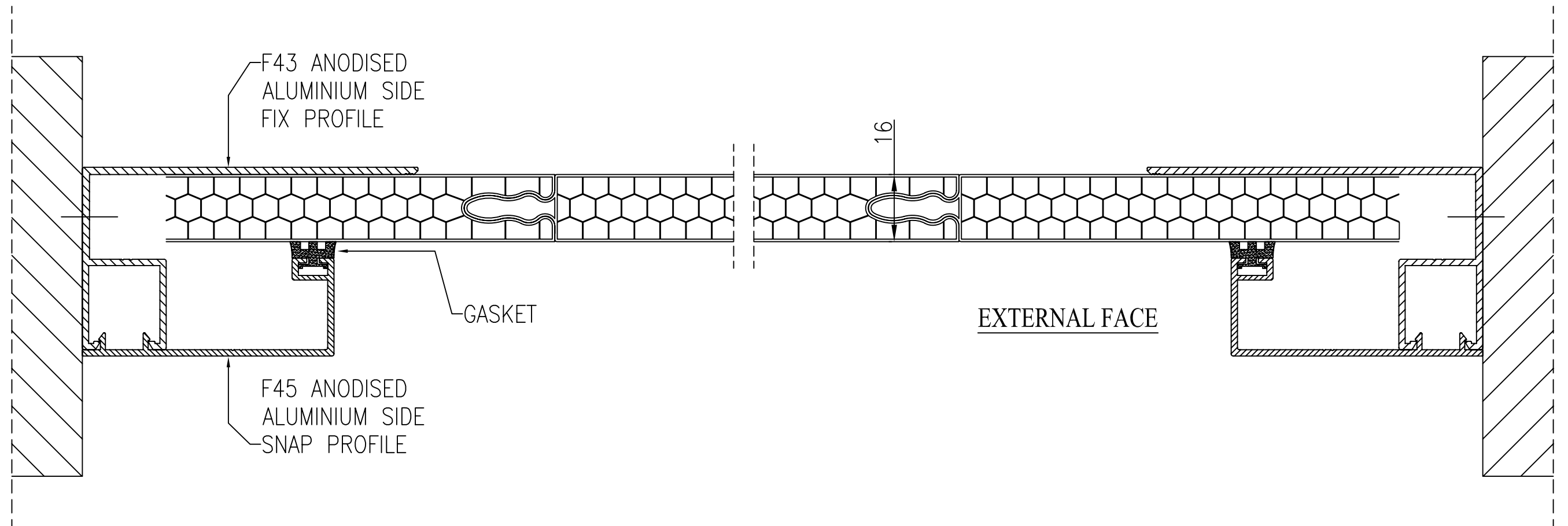
FASTENING CLAMP



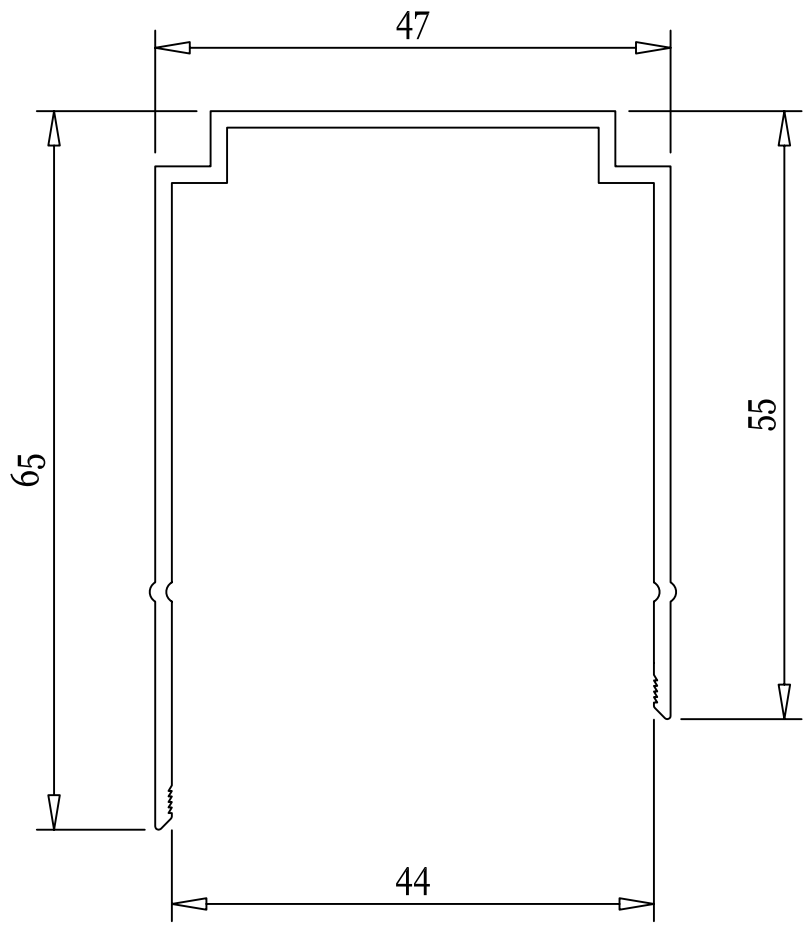
Rockwell
GLAZING SOLUTIONS

CLIENT:	ROCKWELL
DRAWING INFO:	MODULE 500/16 WITH HORIZONTAL SUPPORT
DATE:	31/05/10
SCALE	NTS

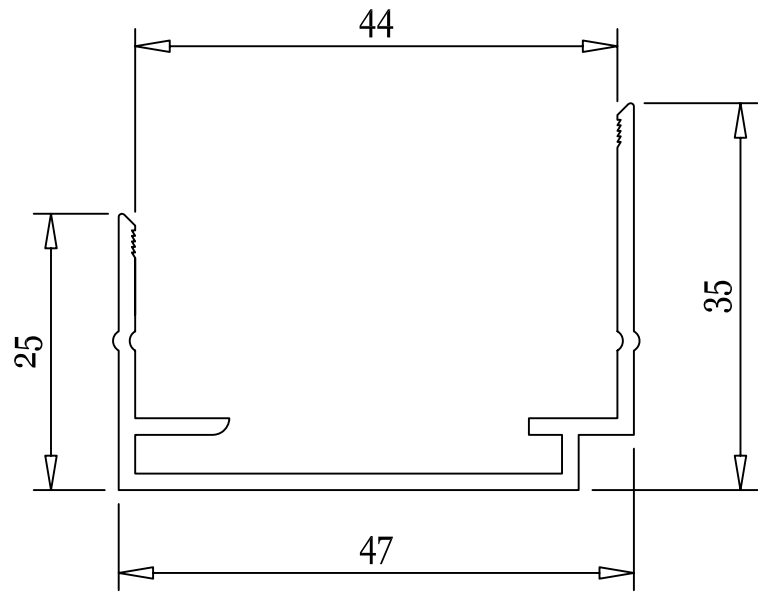
MODULE 500/16 HORIZONTAL SECTION



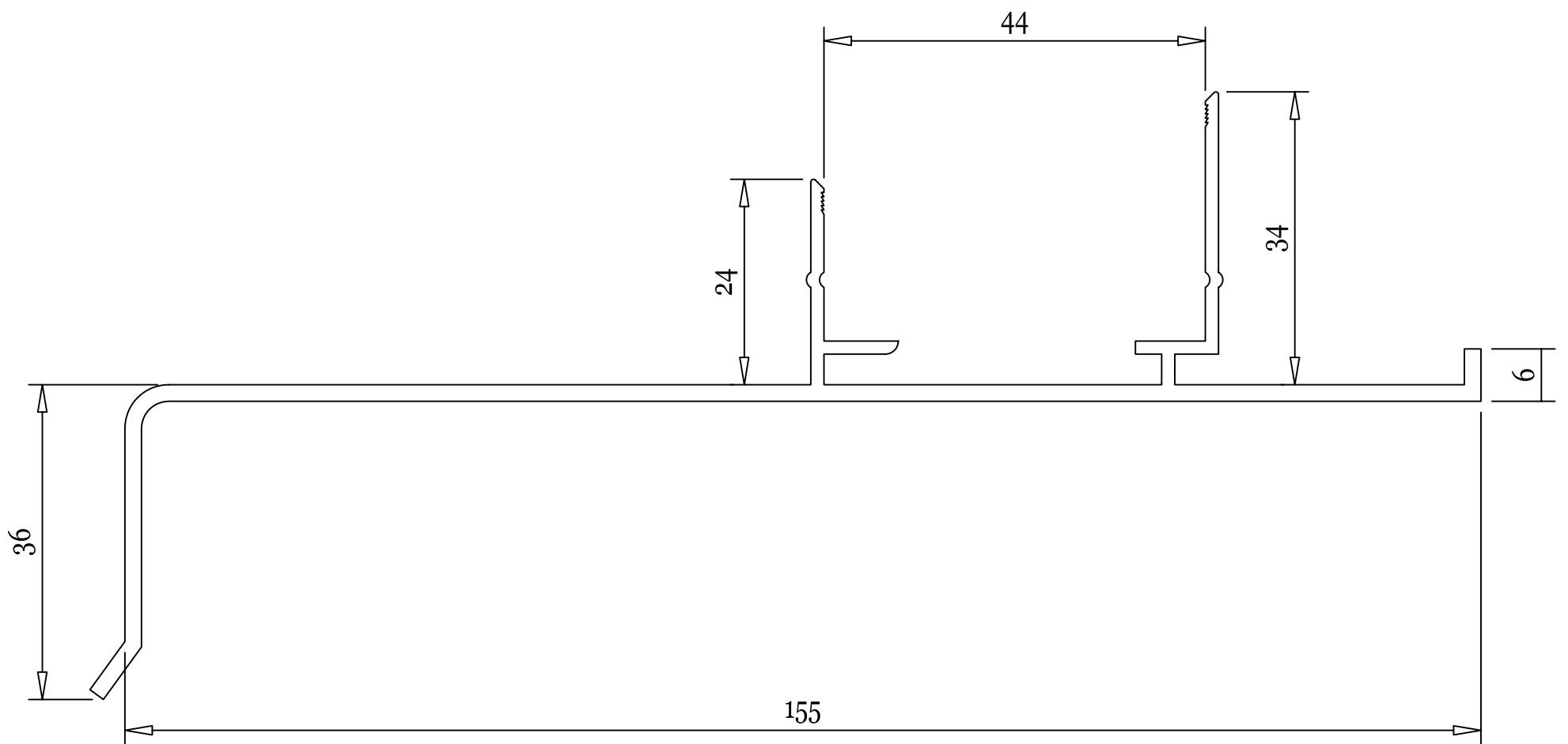
CLIENT:	ROCKWELL
DRAWING INFO:	MODULE 500/16 WITH SIDE PROFILES
DATE:	31/05/10
SCALE:	NTS



F/2 PROFILE



F/1 PROFILE

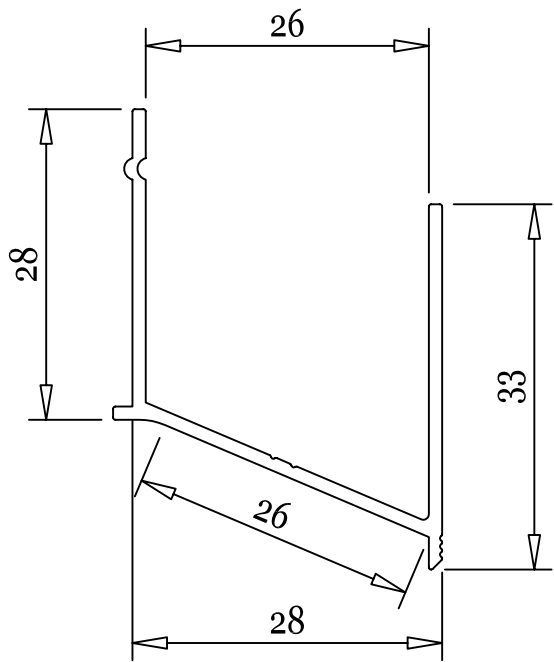


F/6 PROFILE

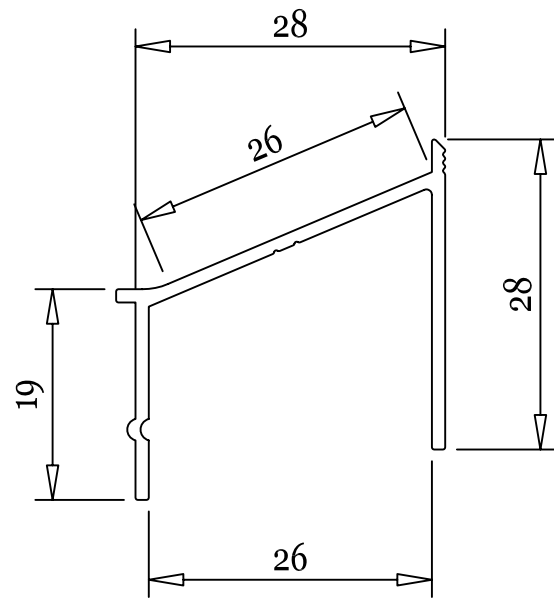


Rockwell
GLAZING SOLUTIONS

CLIENT:	ROCKWELL
DRAWING INFO:	MODULE 500 PROFILES
DATE:	25/05/10
SCALE	NTS

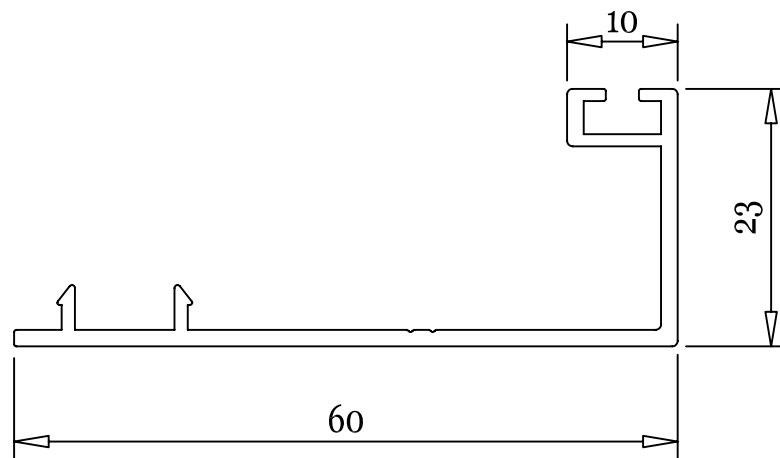
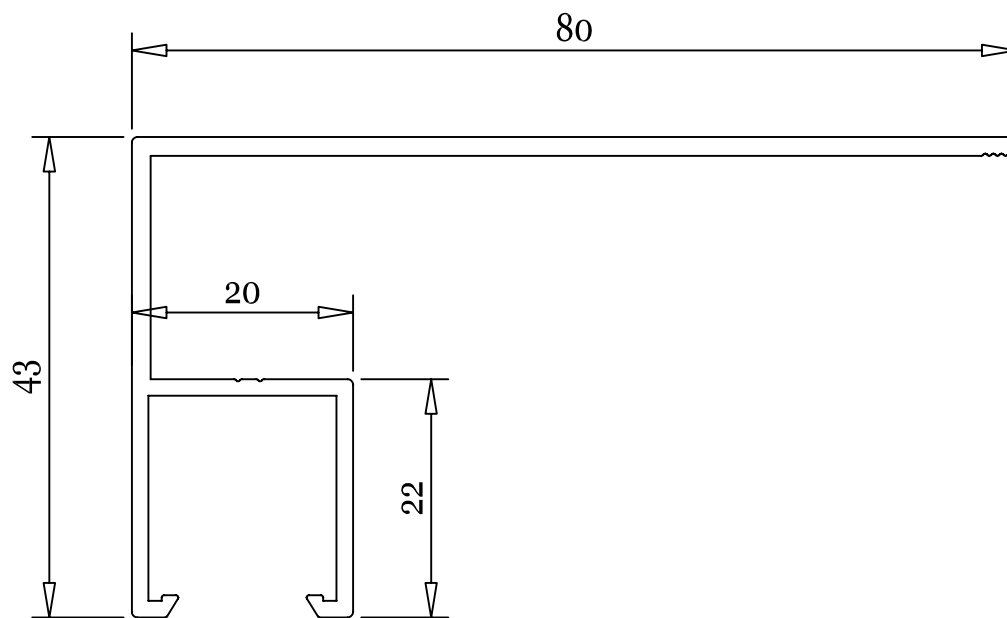


F/41 PROFILE



F/42 PROFILE

F/43 PROFILE



F/45 PROFILE



Rockwell
GLAZING SOLUTIONS

CLIENT:	ROCKWELL
DRAWING INFO:	MODULE 500/16 PROFILES
DATE:	25/05/10
SCALE	NTS