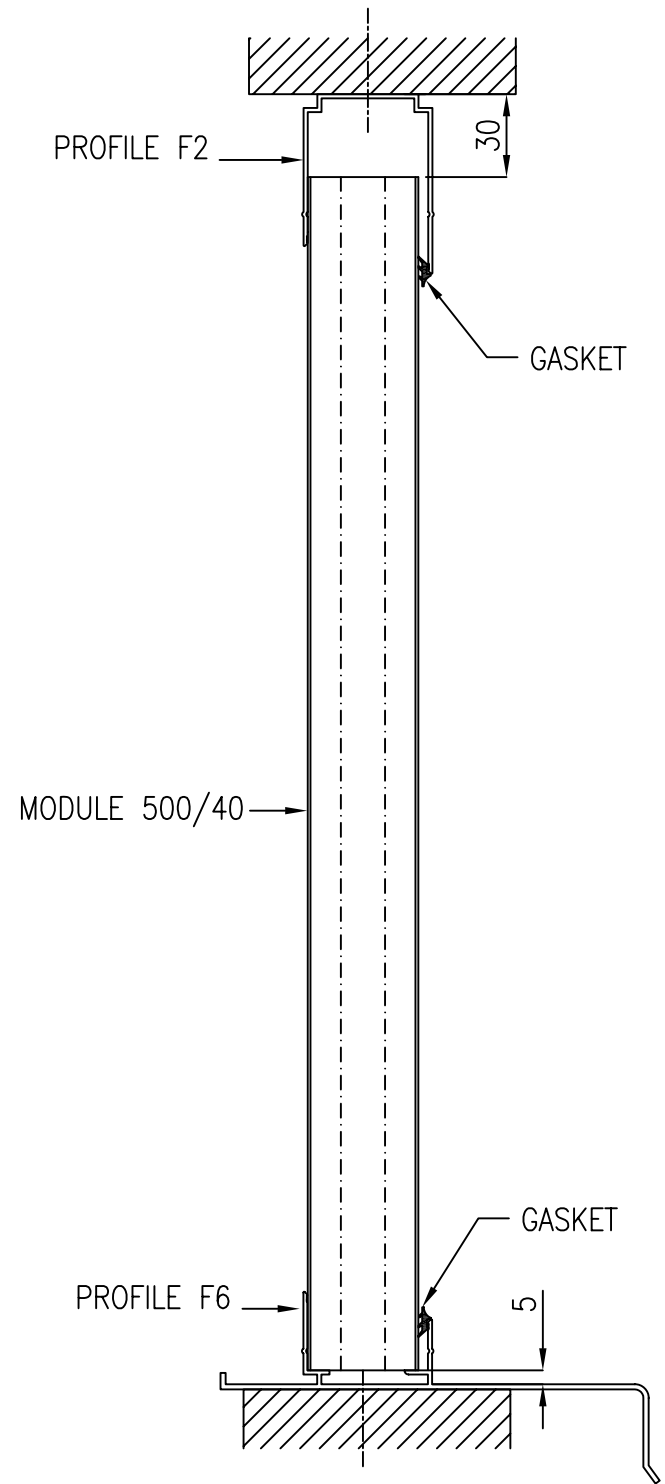


**GLAZING SECTION
 (WITH STANDARD F1 LOWER
 PROFILE & FLASHING)**



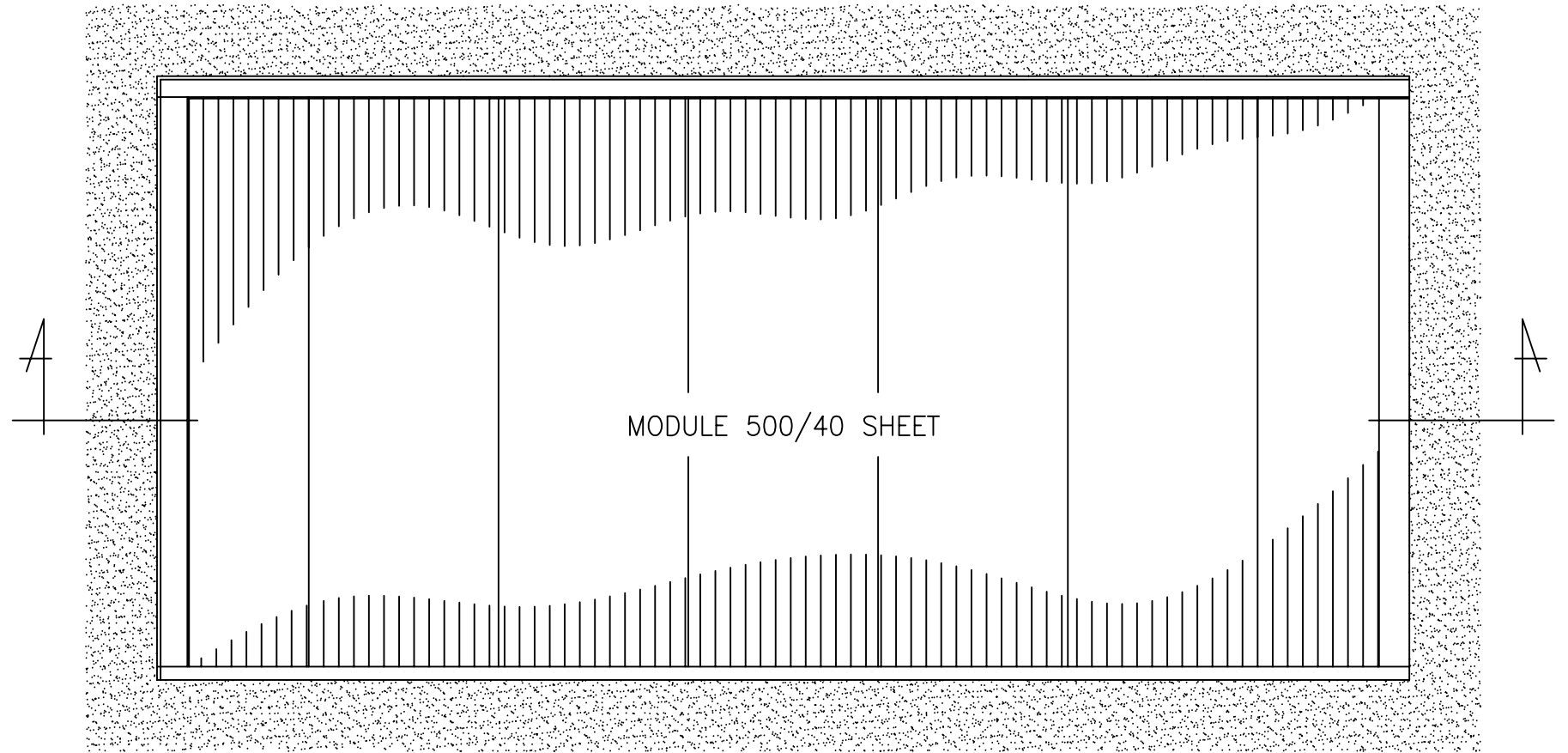
**GLAZING SECTION
 (WITH ALTERNATIVE F6
 LOWER SILL PROFILE)**



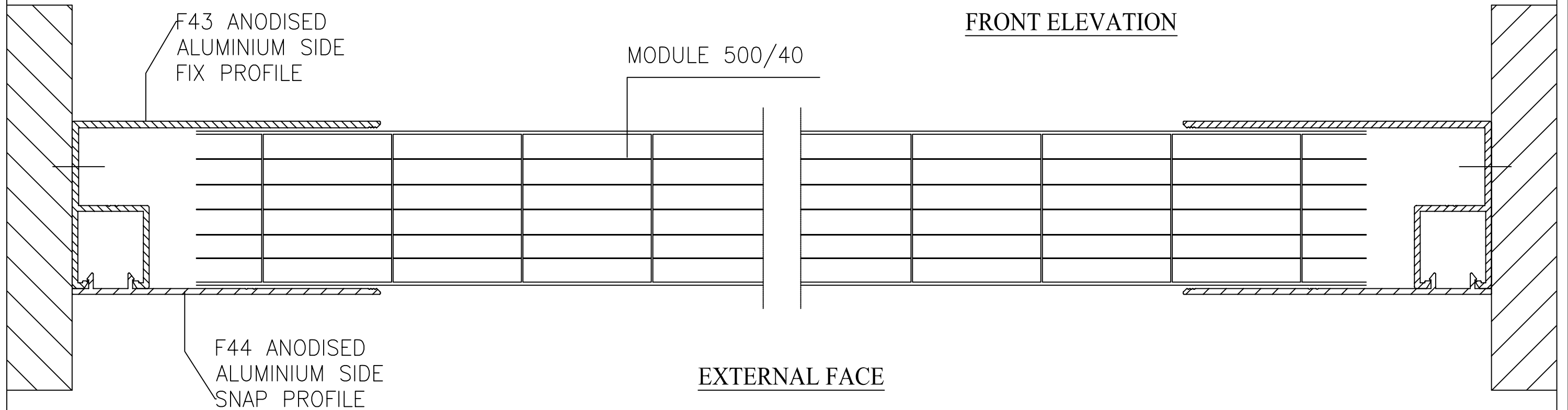
Rockwell
 GLAZING SOLUTIONS

CLIENT:	ROCKWELL
DRAWING INFO:	MODULE 500/40 VERTICAL SECTION
DATE:	21/05/10
SCALE	NTS

MODULE 500/40 FRONT ELEVATION
& HORIZONTAL SECTION



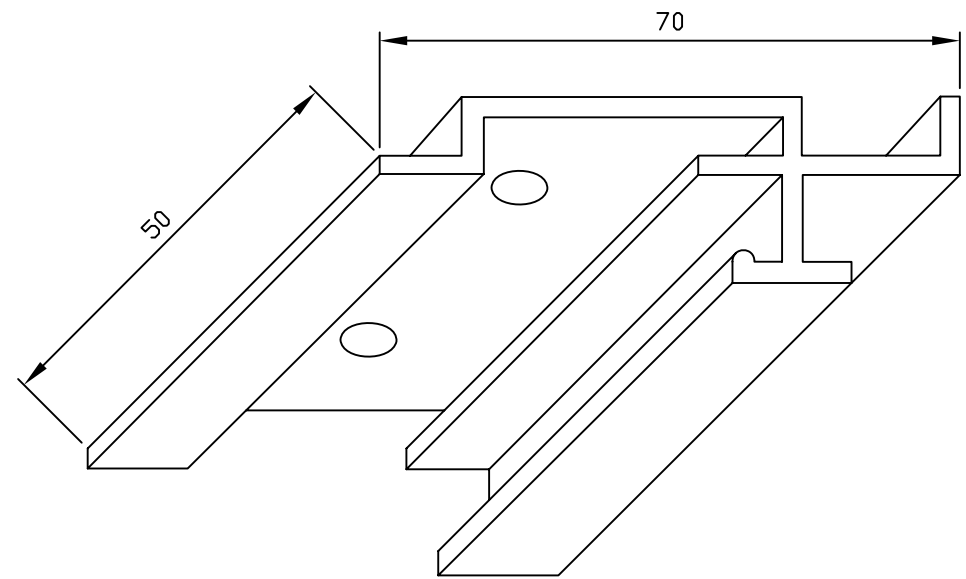
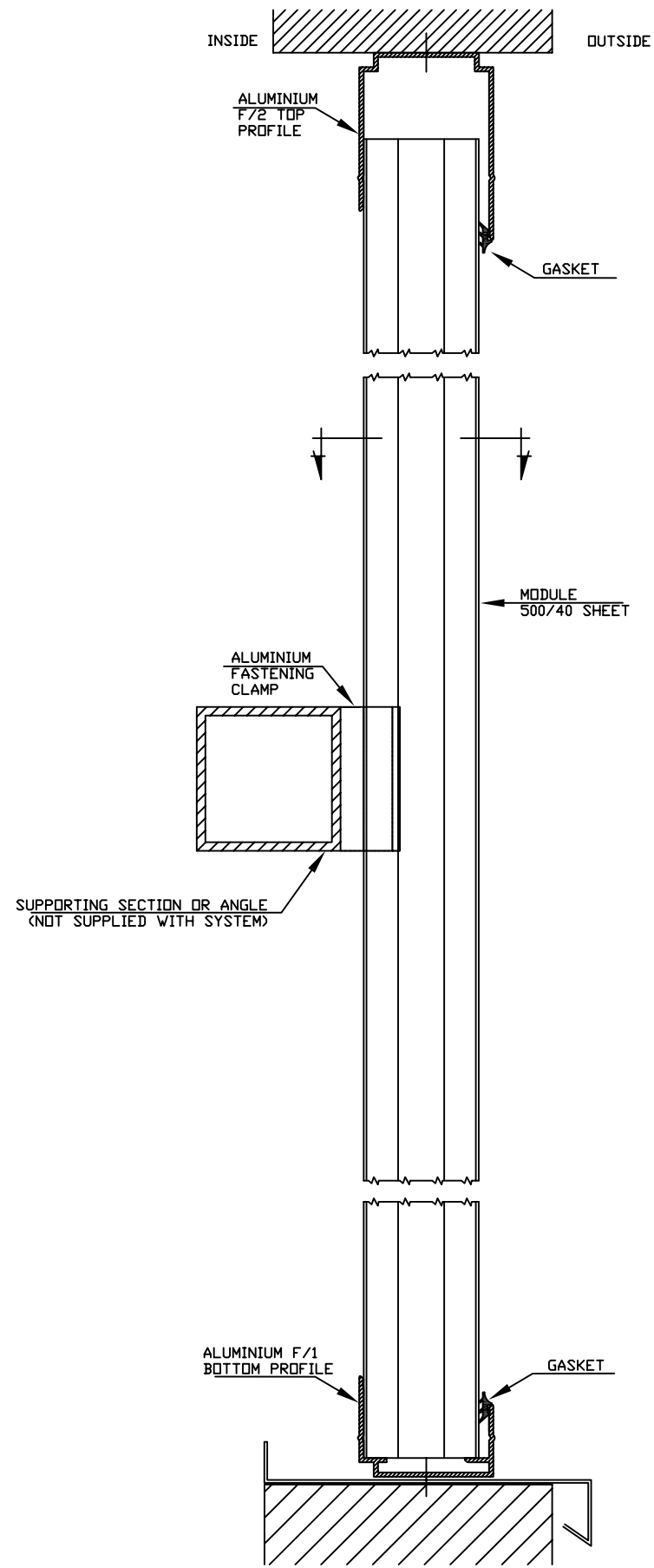
FRONT ELEVATION



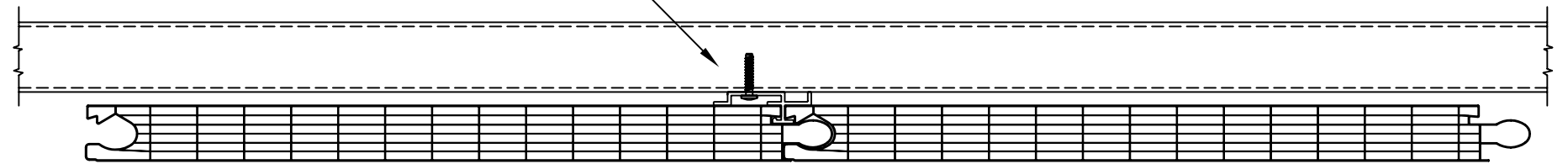
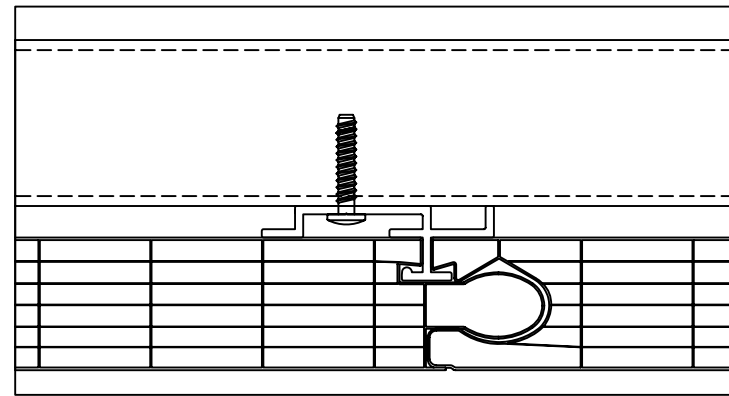
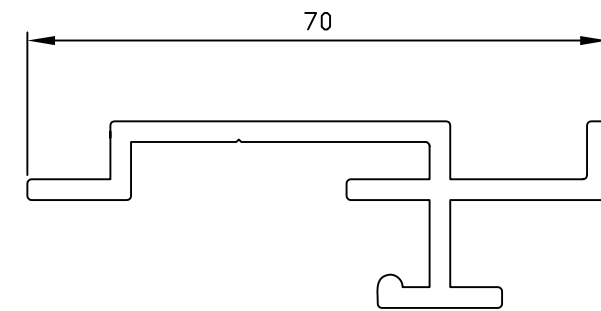
EXTERNAL FACE



CLIENT:	ROCKWELL
DRAWING INFO:	MODULE 500/40 WITH SIDE PROFILES
DATE:	14/05/10
SCALE:	NTS

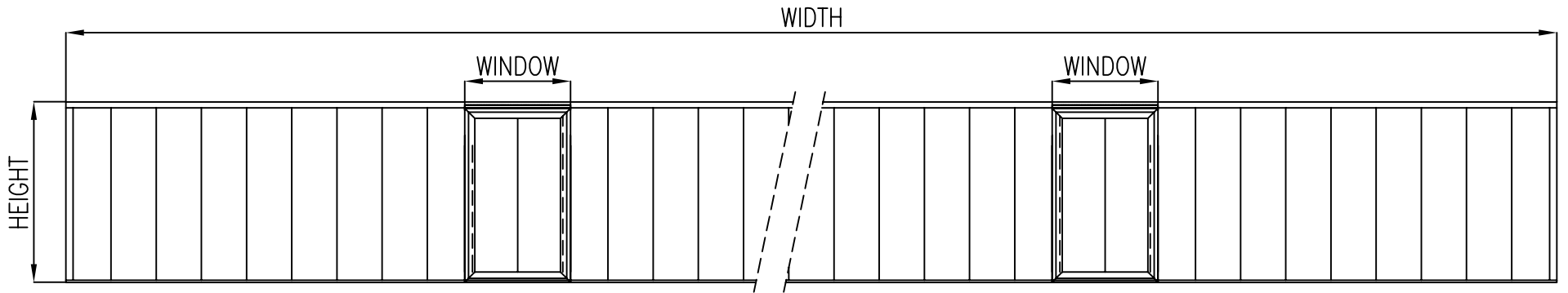


ALUMINIUM FASTENING CLAMP 70mmx50mm

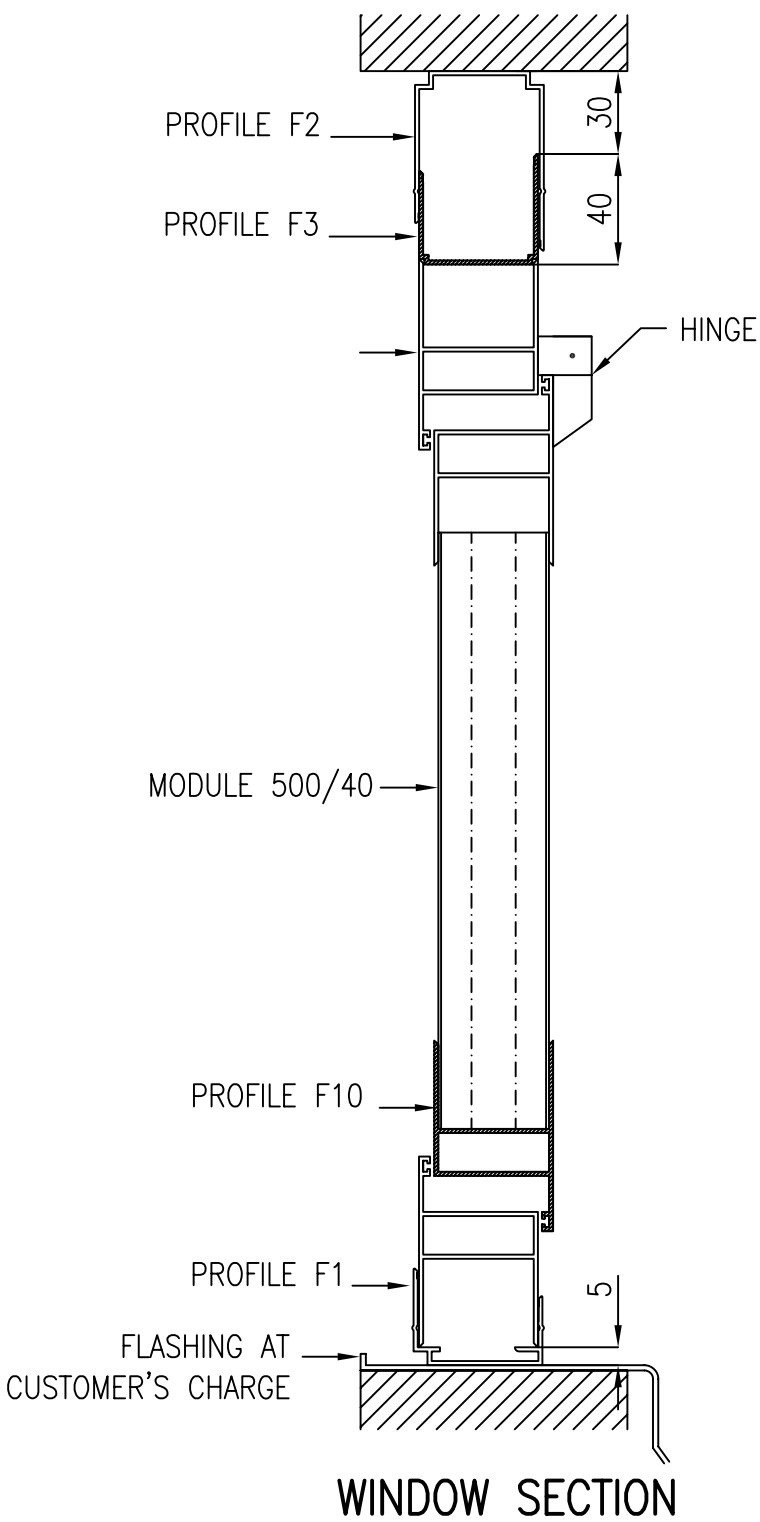
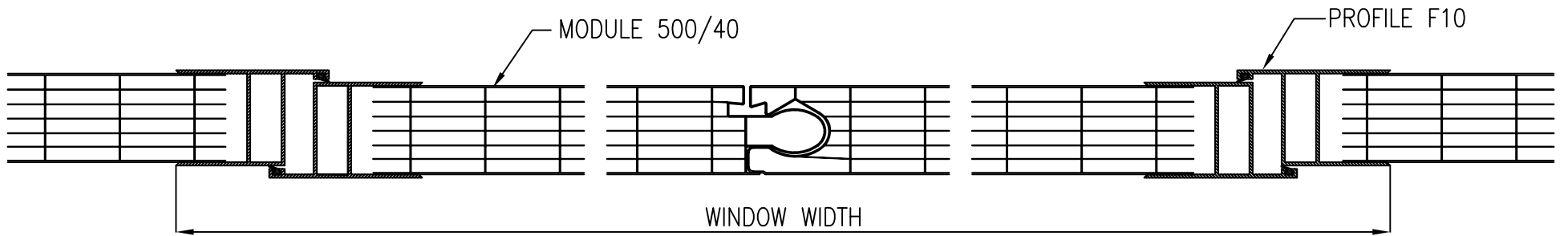


CLIENT:	ROCKWELL
DRAWING INFO:	MODULE 500/40 WITH HORIZONTAL SUPPORT
DATE:	14/05/10
SCALE:	NTS

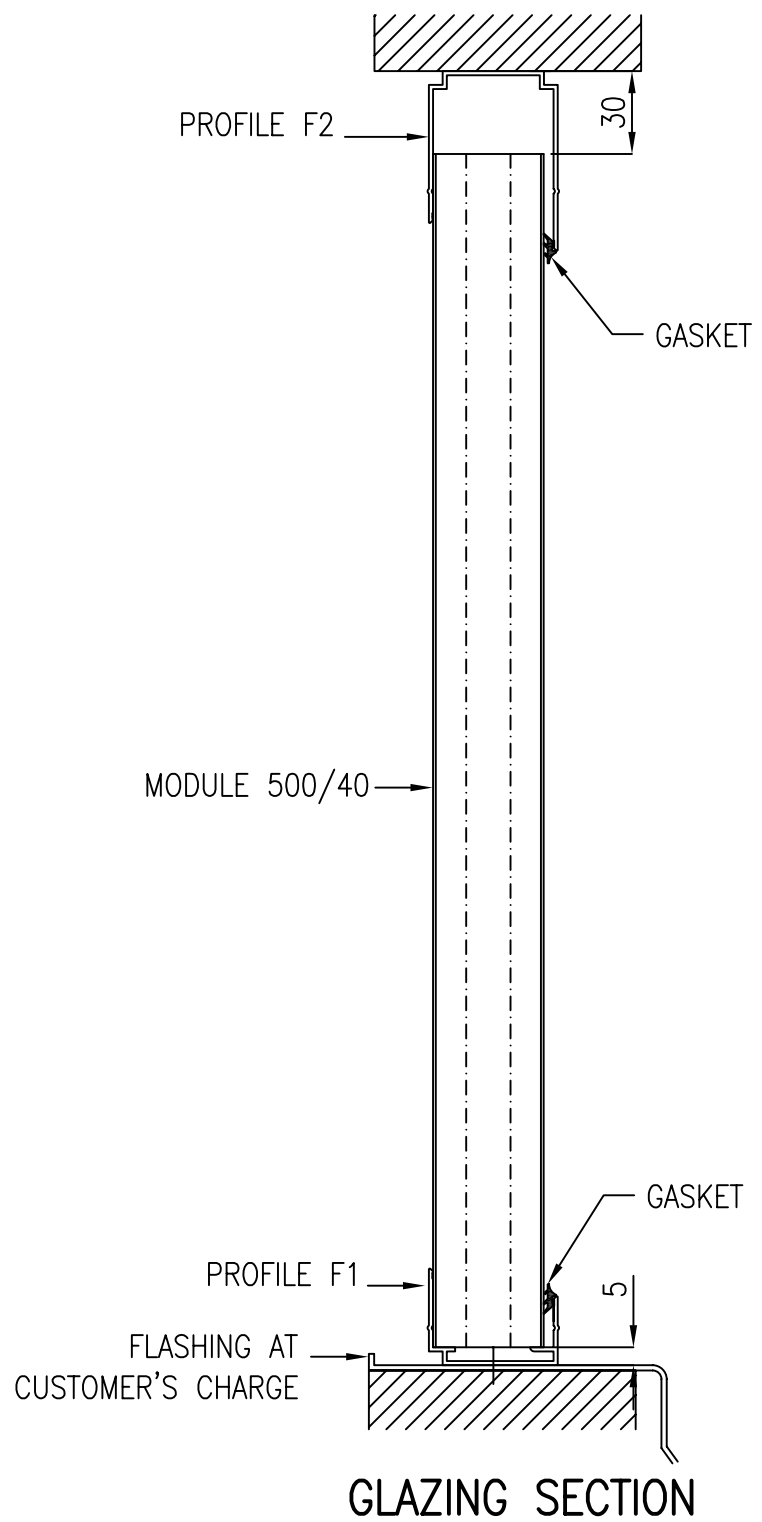
FRONT VIEW



SECTION



WINDOW SECTION

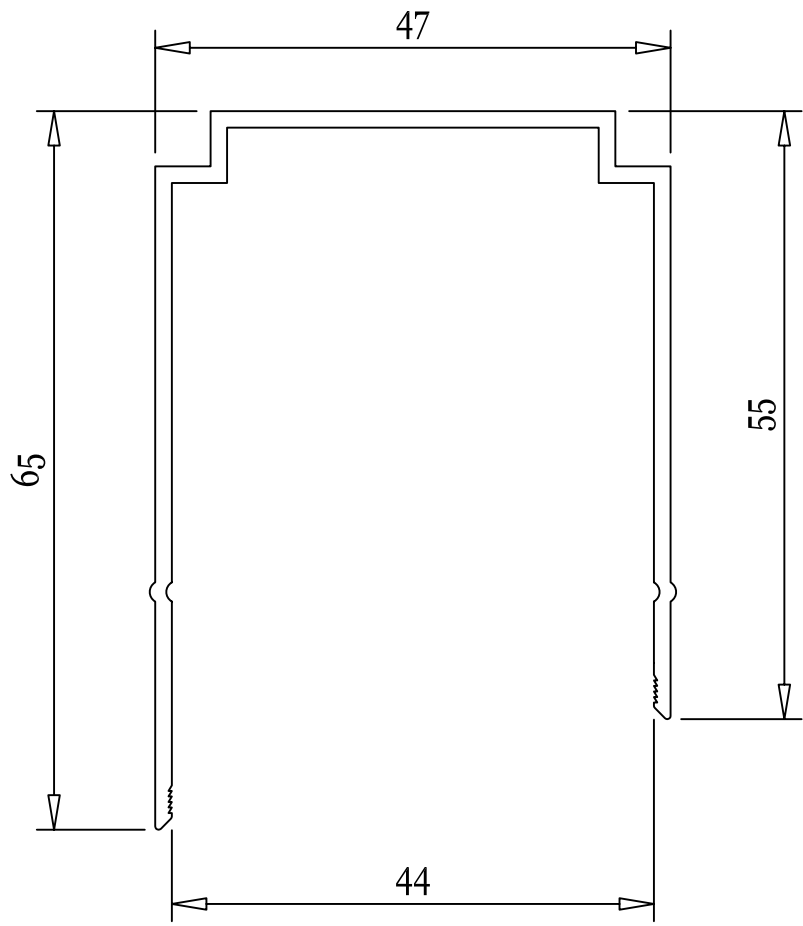


GLAZING SECTION

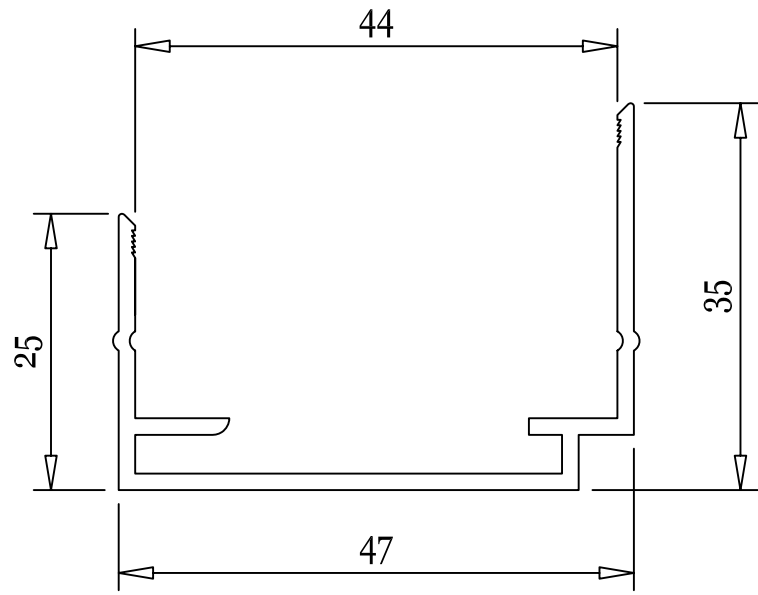


Rockwell
GLAZING SOLUTIONS

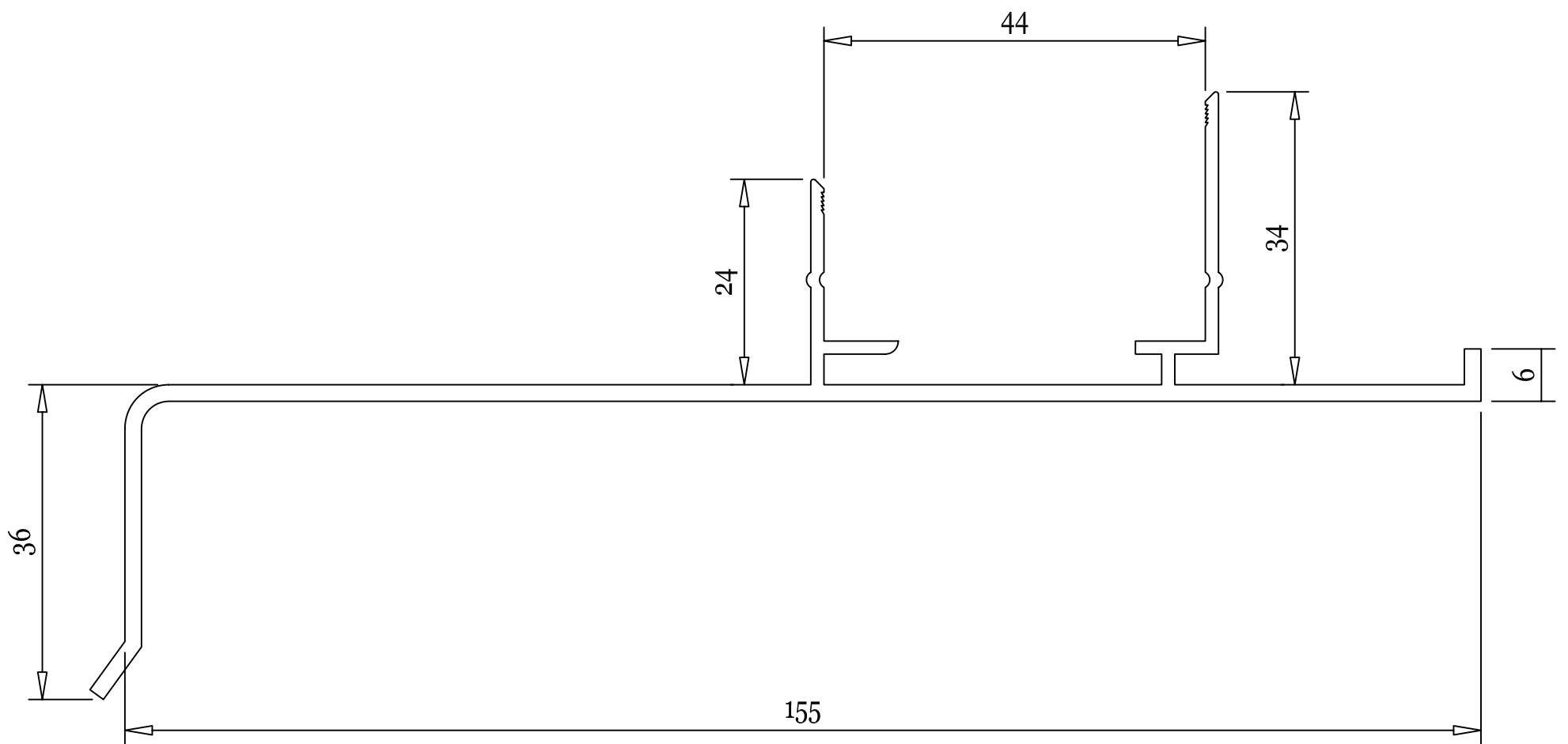
CLIENT:	ROCKWELL
DRAWING INFO:	MODULE 500/40 INCLUDING TOP HUNG WINDOW
DATE:	14/05/10
SCALE	NTS



F/2 PROFILE



F/1 PROFILE



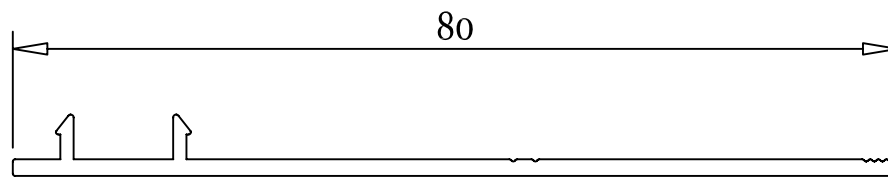
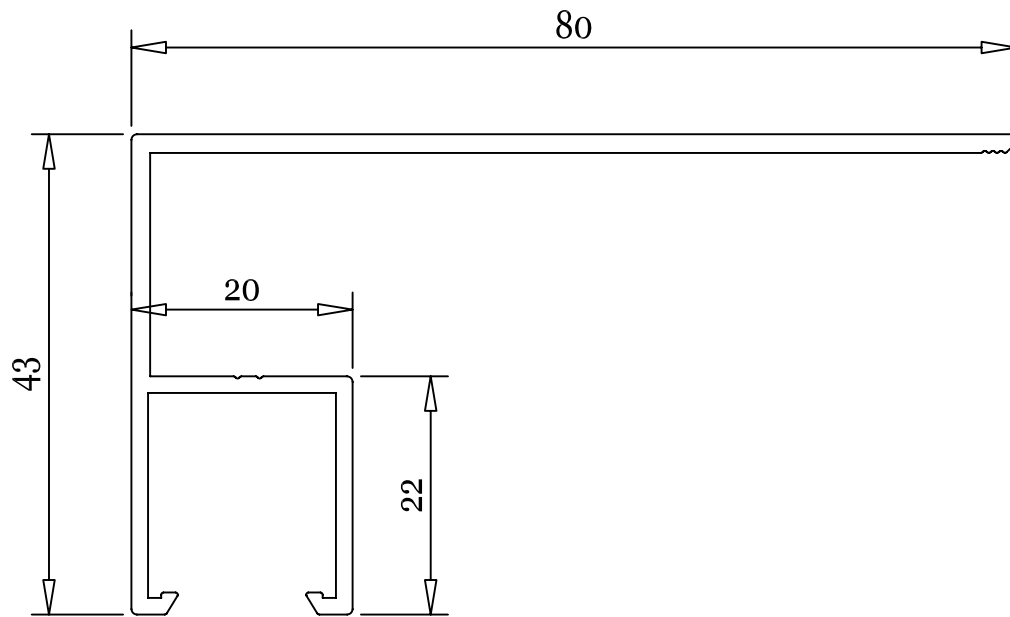
F/6 PROFILE



Rockwell
GLAZING SOLUTIONS

CLIENT:	ROCKWELL
DRAWING INFO:	MODULE 500 PROFILES
DATE:	25/05/10
SCALE	NTS

F/43 PROFILE



F/44 PROFILE



Rockwell
GLAZING SOLUTIONS

CLIENT:	ROCKWELL
DRAWING INFO:	MODULE 500/40 PROFILES
DATE:	25/05/10
SCALE	NTS