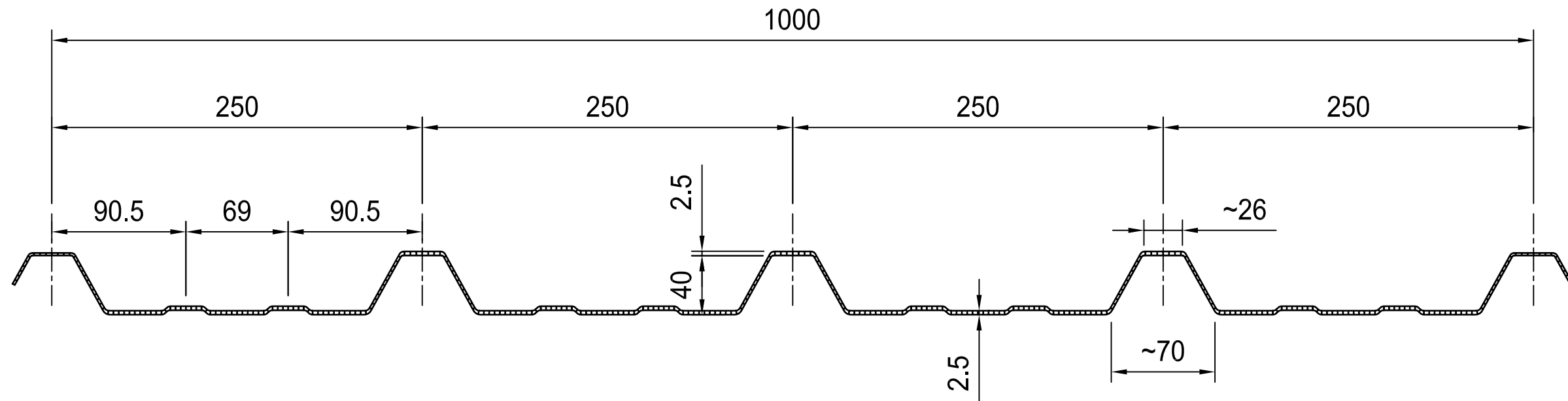


POLYGRECA TWINWALL 112/28



Rockwell
GLAZING SOLUTIONS

CLIENT:	ROCKWELL
DRAWING INFO:	POLYGRECA TWINWALL 112/28
DATE:	29/09/10
SCALE:	NTS

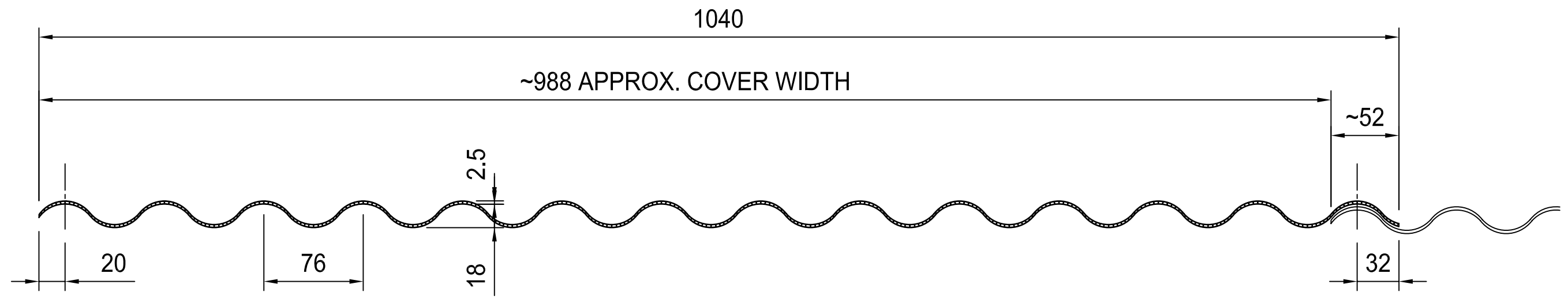


POLYGRECA TWINWALL 250/40
(COMPOSITE PANEL ROOFLIGHT)



Rockwell
GLAZING SOLUTIONS

CLIENT:	ROCKWELL
DRAWING INFO:	POLYGRECA TWINWALL 250/40
DATE:	29/09/10
SCALE	NTS

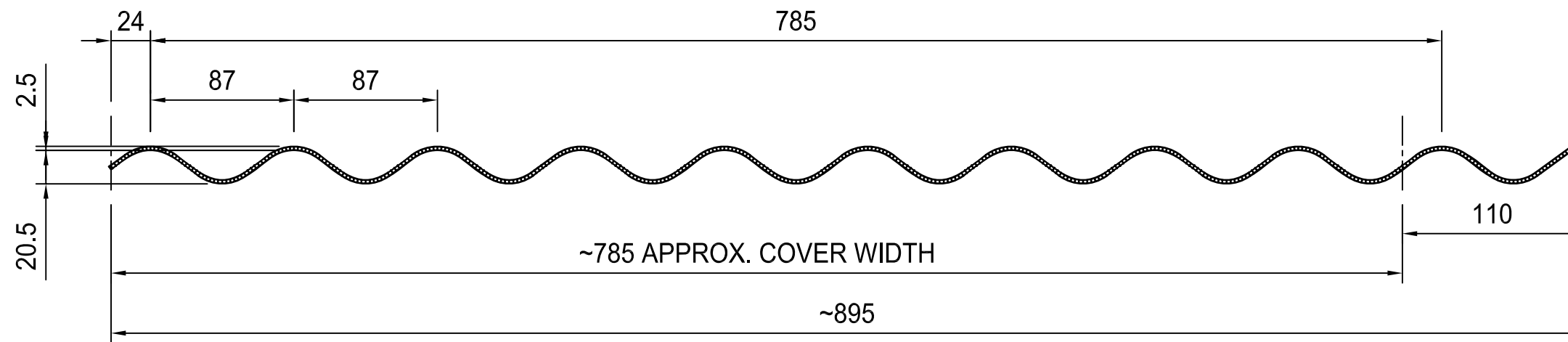


POLYWAVE TWINWALL 76/18
 (3" CORRUGATED IRON)



Rockwell
 GLAZING SOLUTIONS

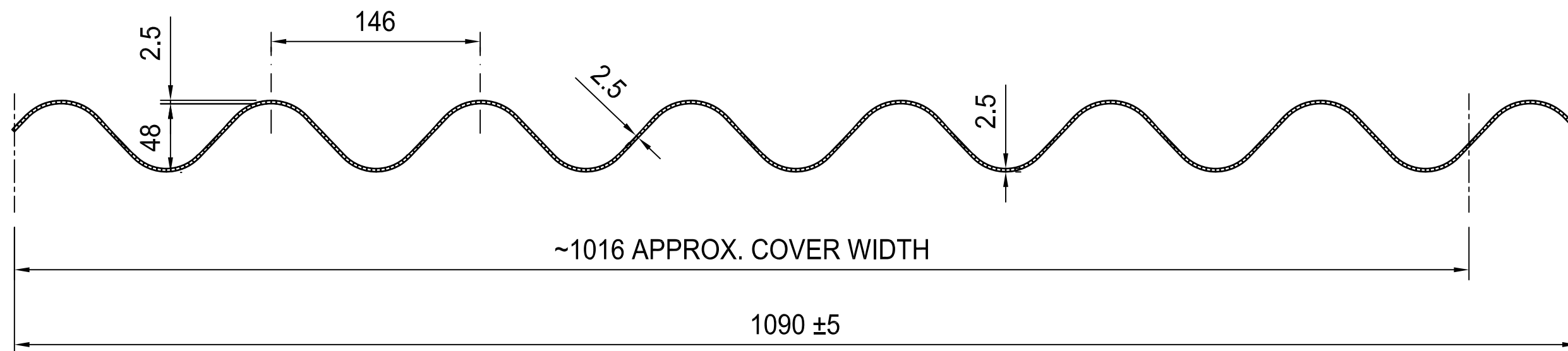
CLIENT:	ROCKWELL
DRAWING INFO:	POLYWAVE TWINWALL 76/18
DATE:	29/09/10
SCALE	NTS



POLYWAVE TWINWALL 87/21
(ONDULIT SHEET PROFILE)



CLIENT:	ROCKWELL
DRAWING INFO:	POLYWAVE TWINWALL 87/21
DATE:	29/09/10
SCALE	NTS

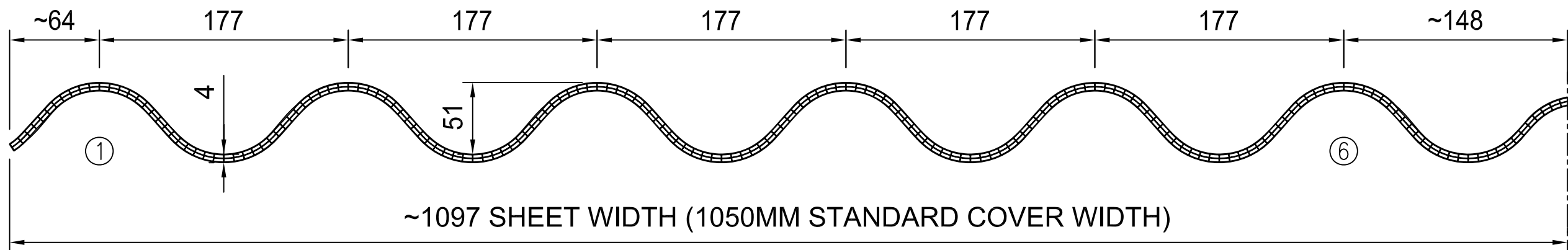


POLYWAVE TWINWALL 146/48
(BIG-6 CORRUGATED PROFILE)



Rockwell
GLAZING SOLUTIONS

CLIENT:	ROCKWELL
DRAWING INFO:	POLYWAVE TWINWALL 146/48
DATE:	29/09/10
SCALE	NTS

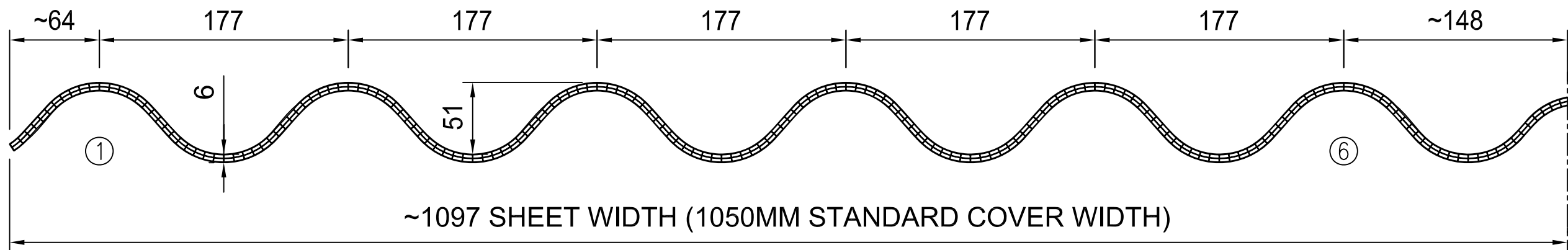


POLYWAVE TRIPLEWALL 4MM THICK 177/51
(THERMONDA WAVE PROFILE)



Rockwell
GLAZING SOLUTIONS

CLIENT:	ROCKWELL
DRAWING INFO:	POLYWAVE TRIPLEWALL 4MM THICK 177/51
DATE:	29/09/10
SCALE	NTS

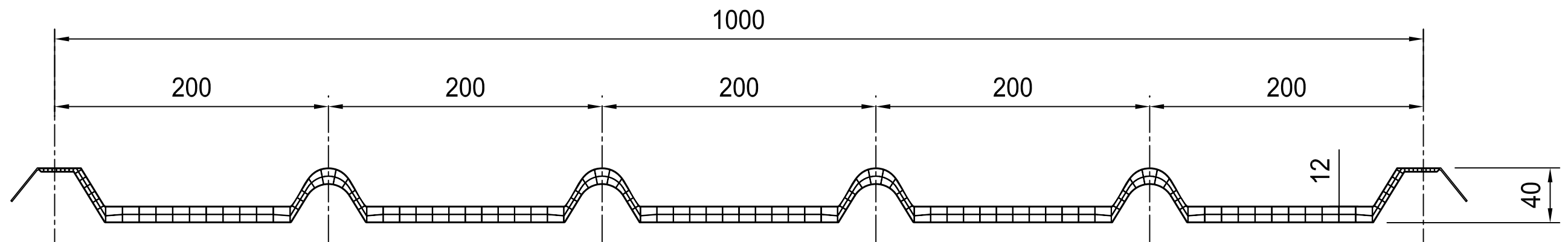


POLYWAVE TRIPLEWALL 6MM THICK 177/51
(THERMONDA WAVE PROFILE)



Rockwell
GLAZING SOLUTIONS

CLIENT:	ROCKWELL
DRAWING INFO:	POLYWAVE TRIPLEWALL 6MM THICK 177/51
DATE:	29/09/10
SCALE	NTS

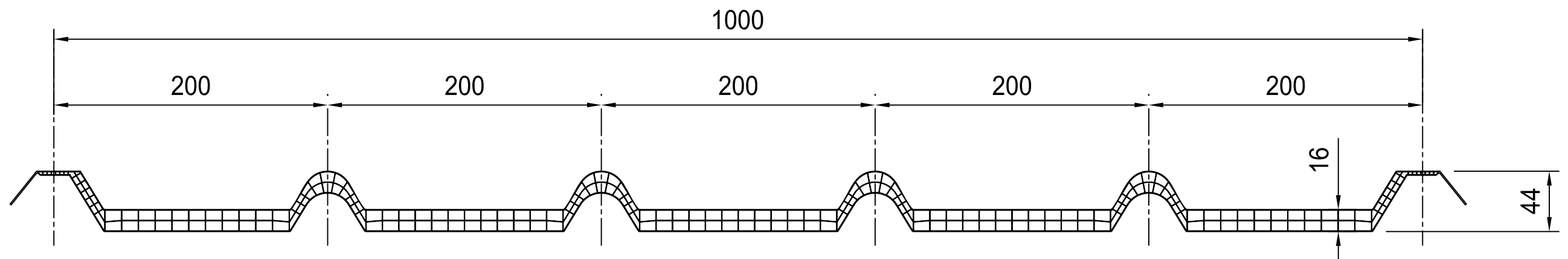


POLYGRECA 12MM TRIPLEWALL 200/40



Rockwell
GLAZING SOLUTIONS

CLIENT:	ROCKWELL
DRAWING INFO:	POLYGRECA 12MM TRIPLEWALL 200/40
DATE:	29/09/10
SCALE	NTS

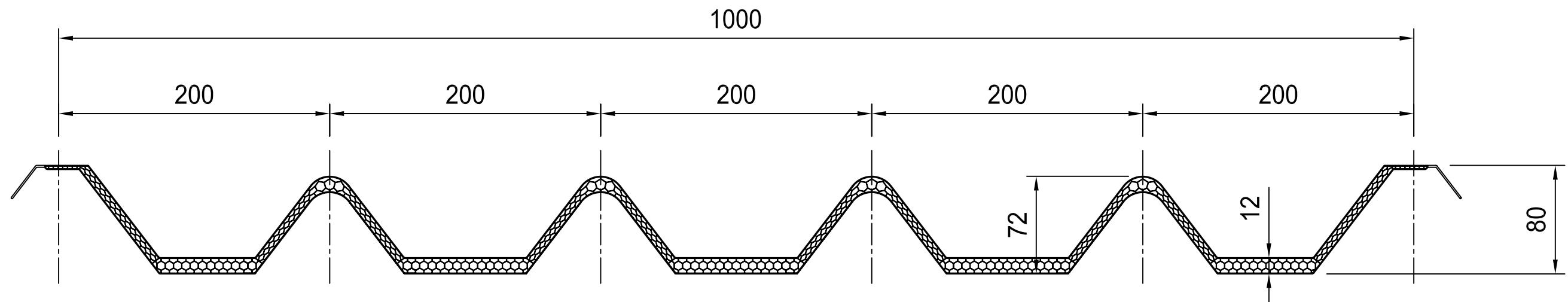


POLYGRECA 16MM TRIPLEWALL 200/44



Rockwell
GLAZING SOLUTIONS

CLIENT:	ROCKWELL
DRAWING INFO:	POLYGRECA 16MM TRIPLEWALL 200/44
DATE:	29/09/10
SCALE	NTS

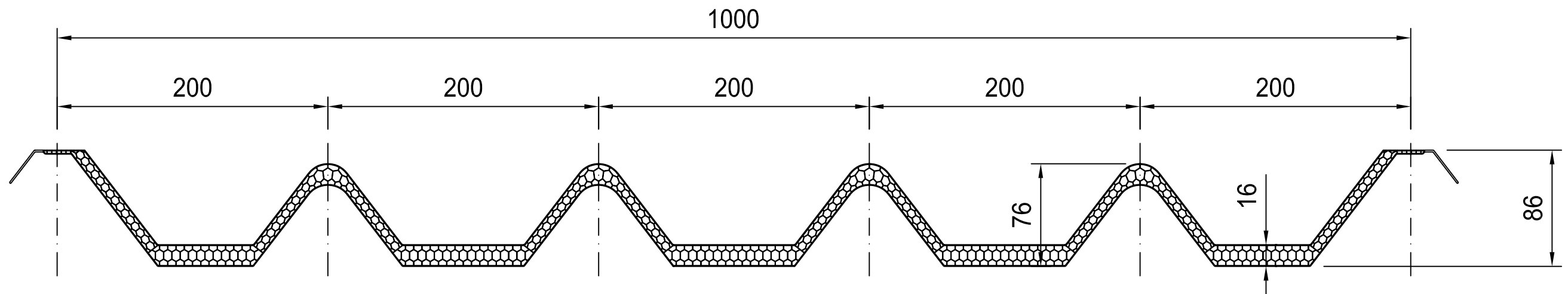


POLYGRECA 12MM HONEYCOMB 200/80



Rockwell
GLAZING SOLUTIONS

CLIENT:	ROCKWELL
DRAWING INFO:	POLYGRECA 12MM HONEYCOMB 200/80
DATE:	29/09/10
SCALE	NTS



POLYGRECA 16MM HONEYCOMB 200/80



Rockwell
GLAZING SOLUTIONS

CLIENT:	ROCKWELL
DRAWING INFO:	POLYGRECA 16MM HONEYCOMB 200/80
DATE:	29/09/10
SCALE	NTS